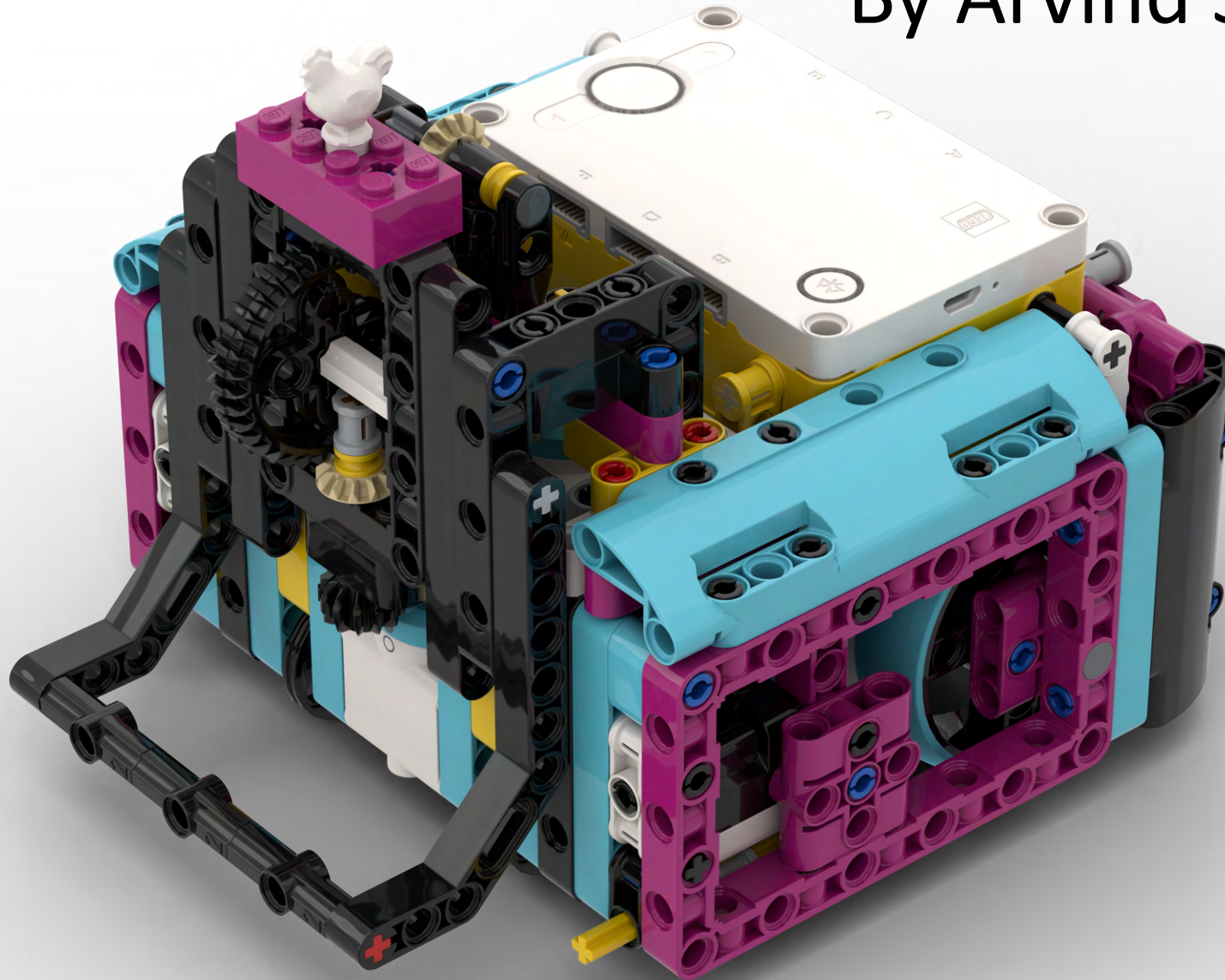


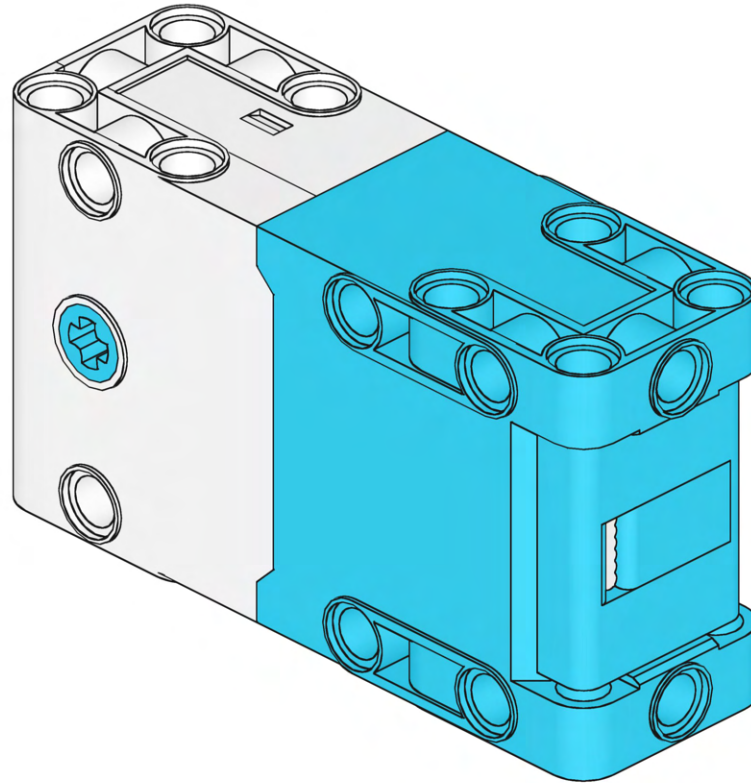
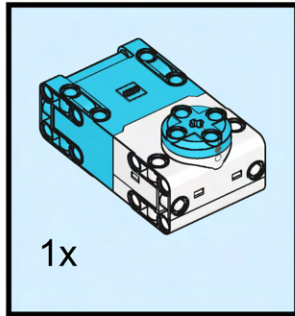
Coop Bot with Universal Attachment

By Arvind Seshan

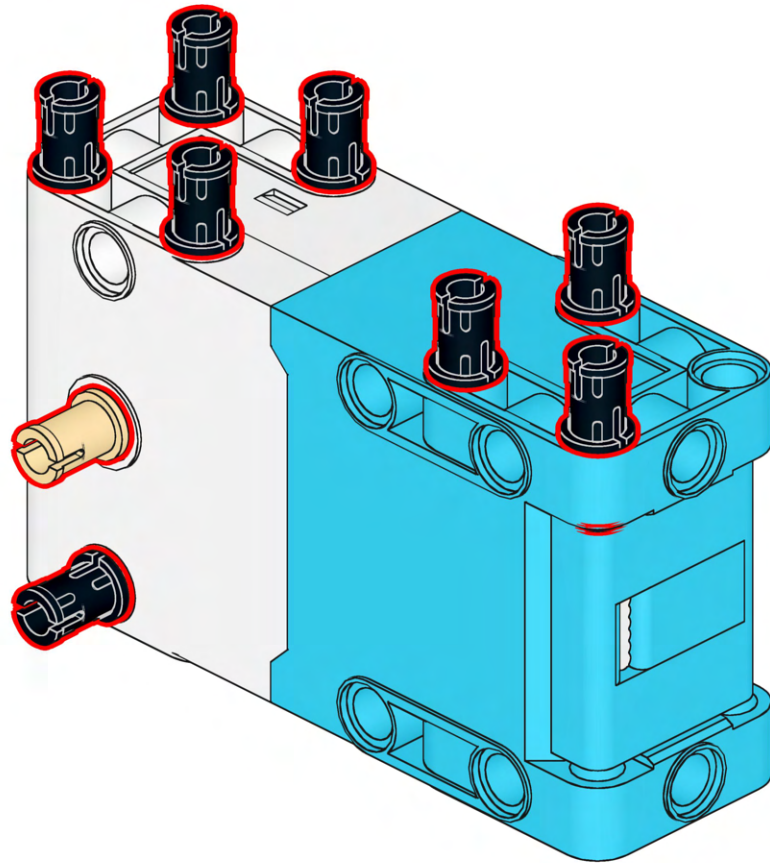
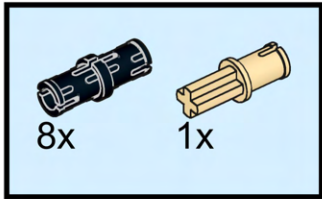


Base Robot

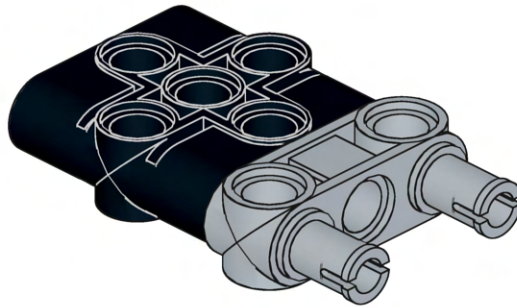
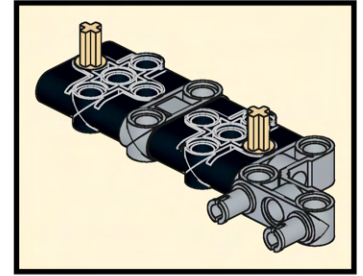
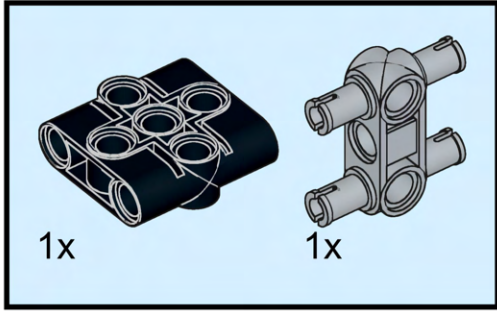
1



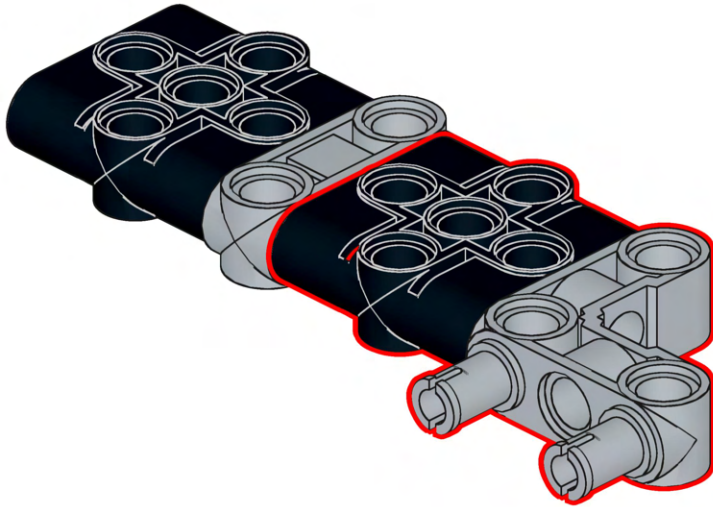
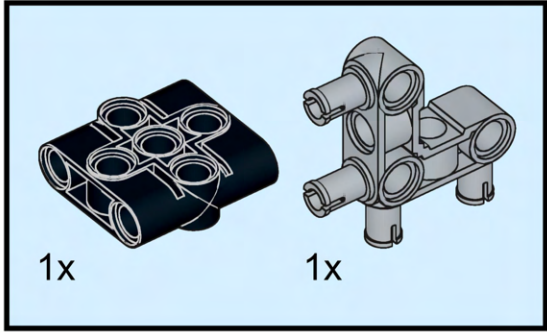
2



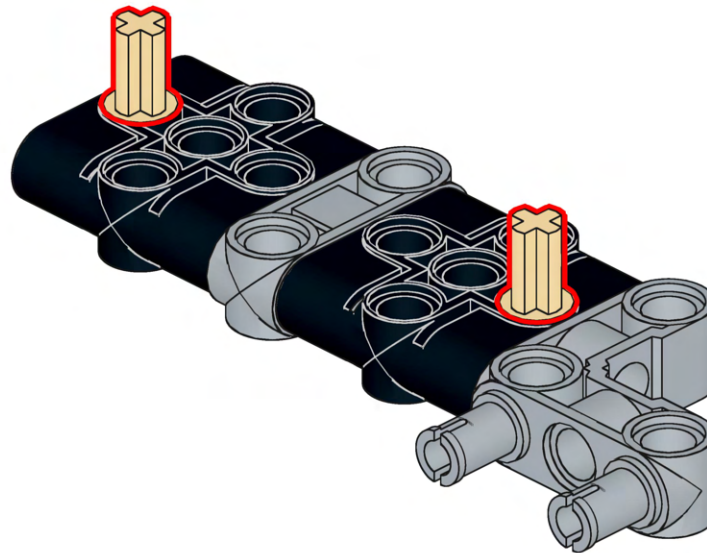
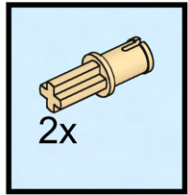
3



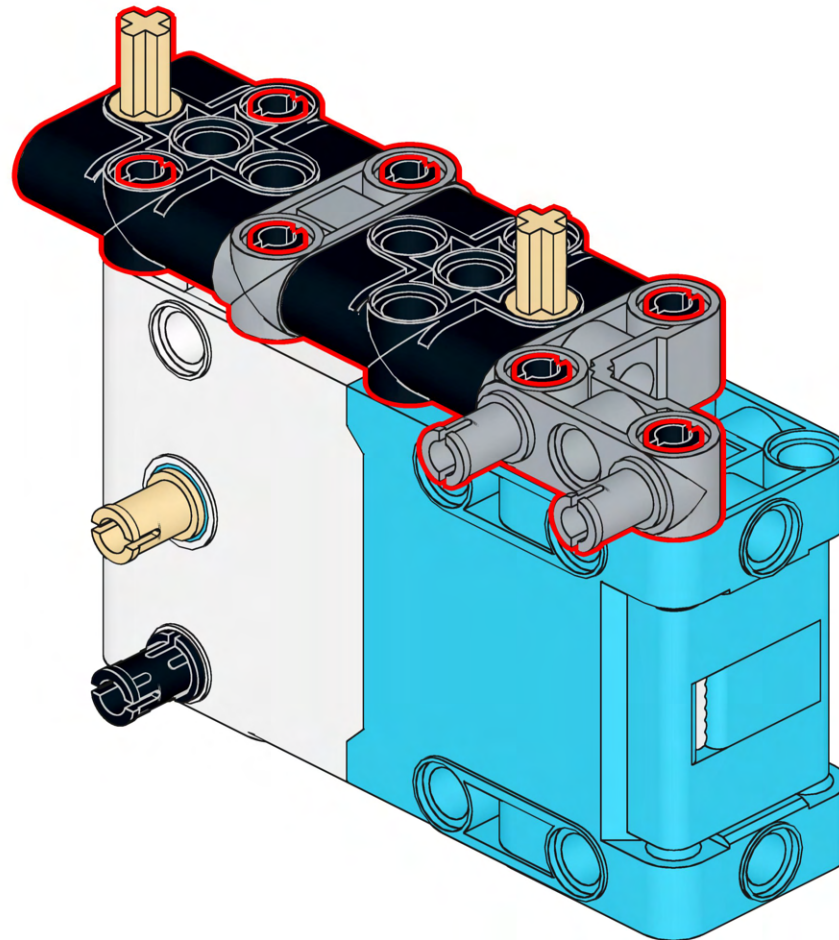
4



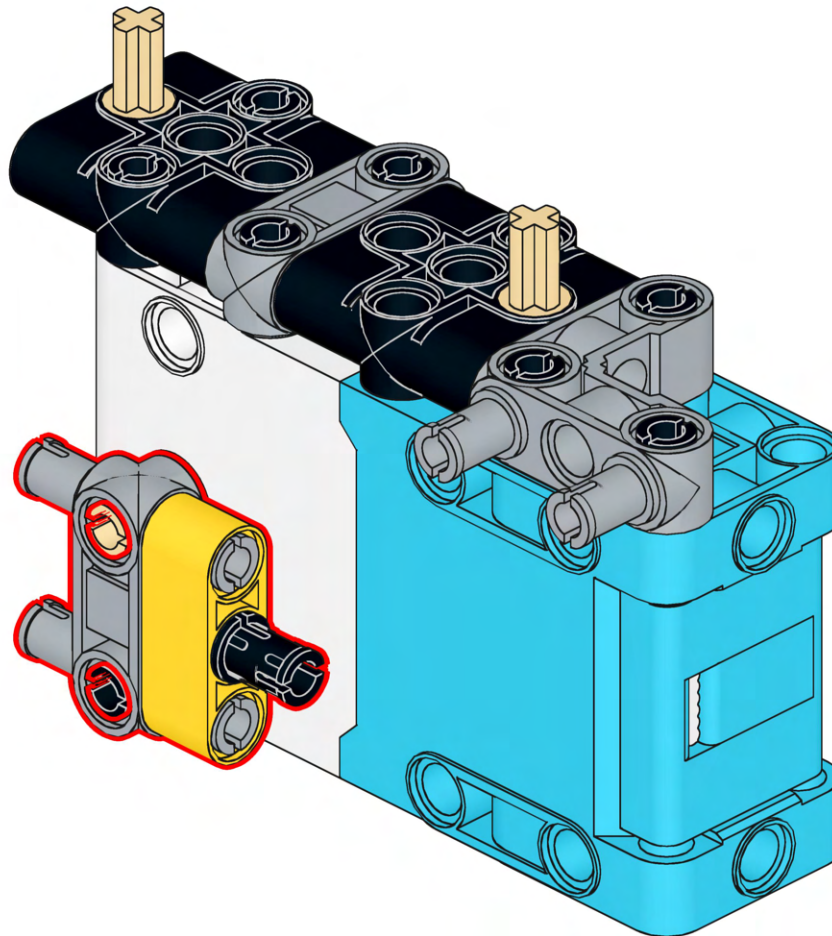
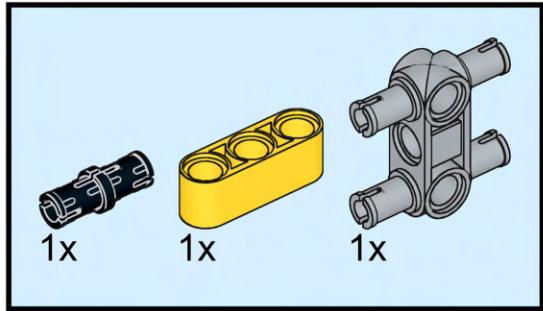
5



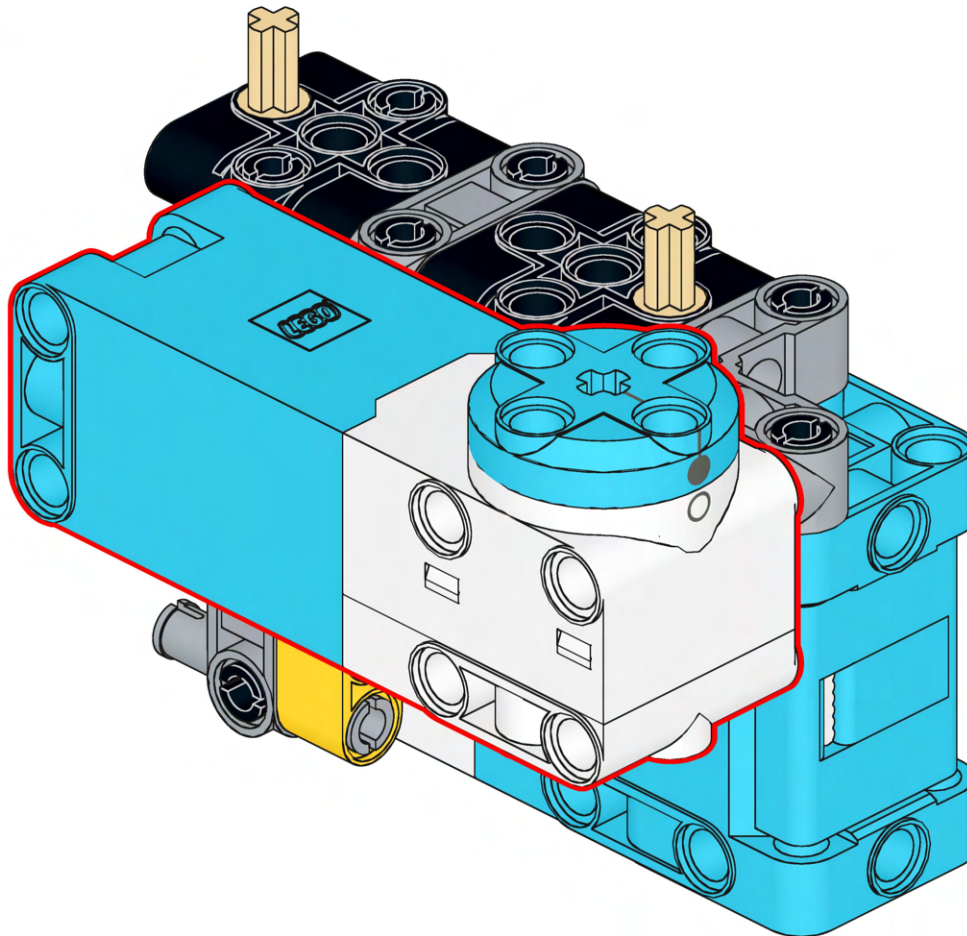
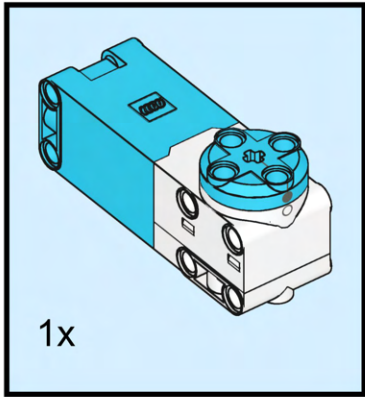
6



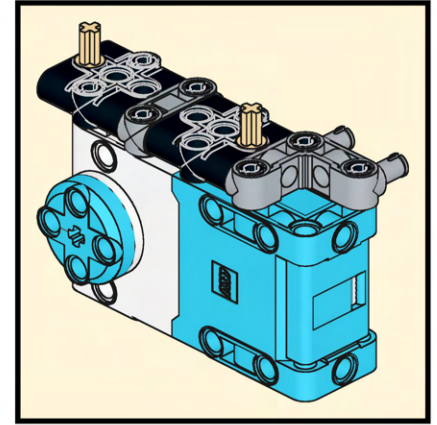
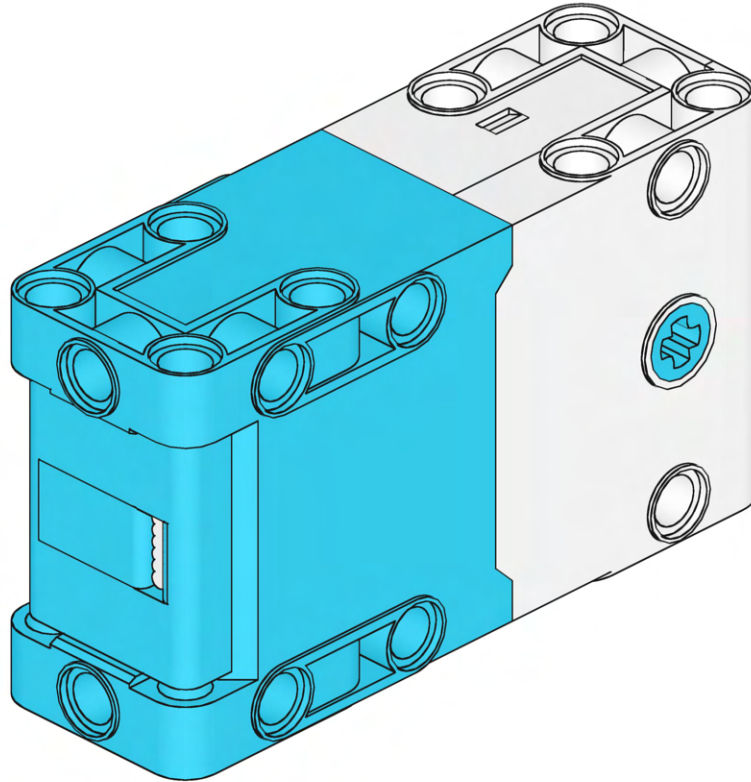
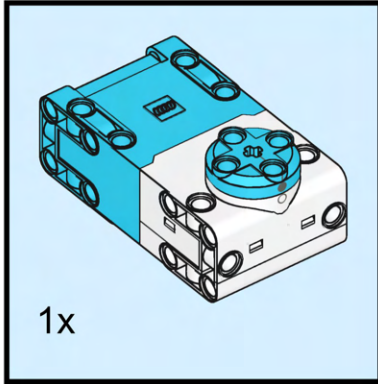
7



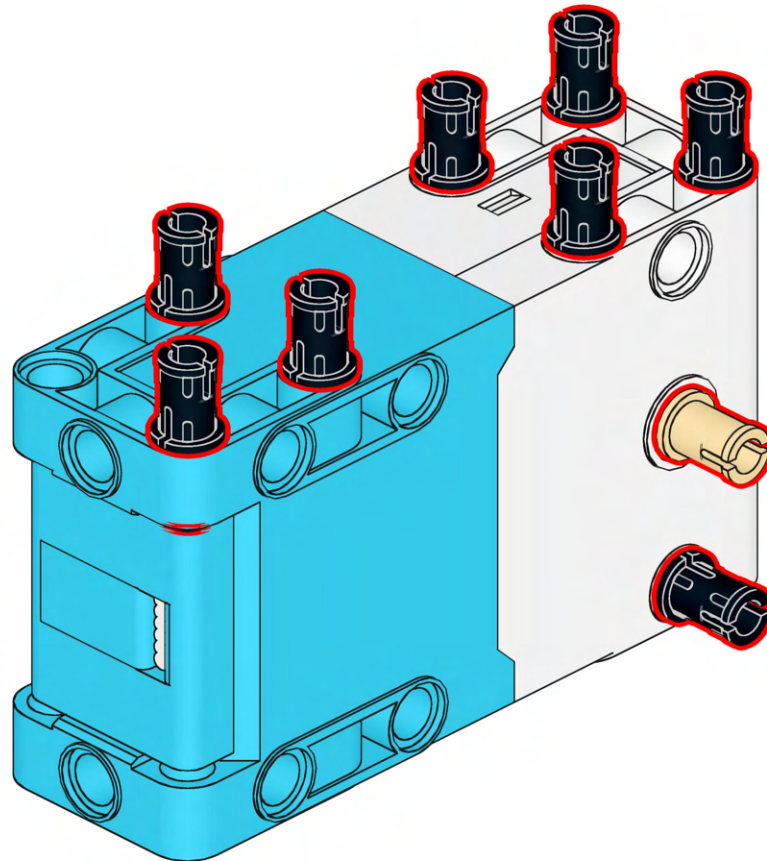
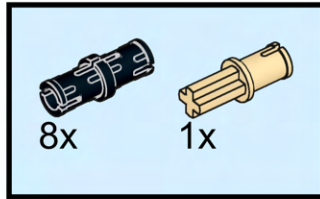
8



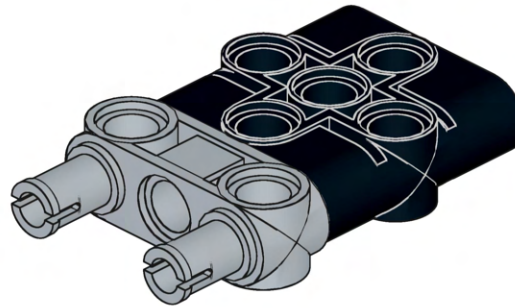
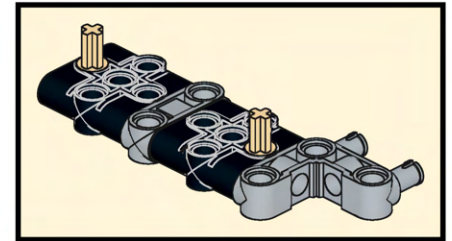
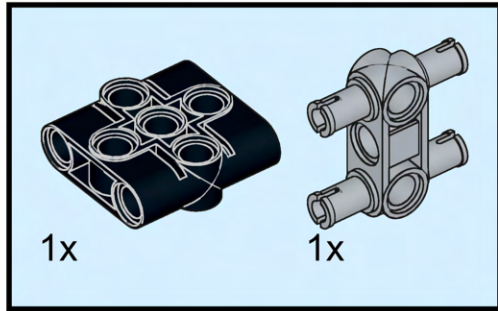
9



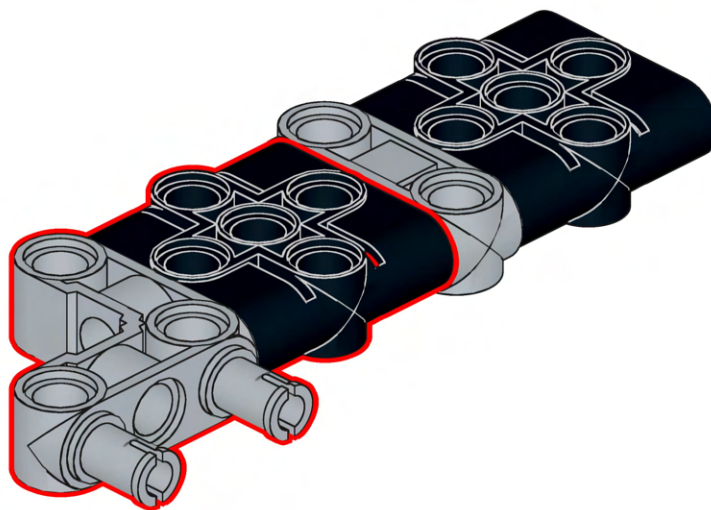
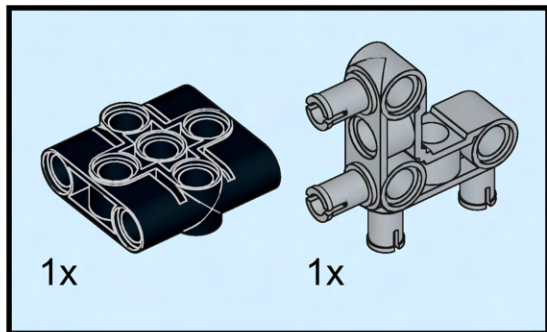
10



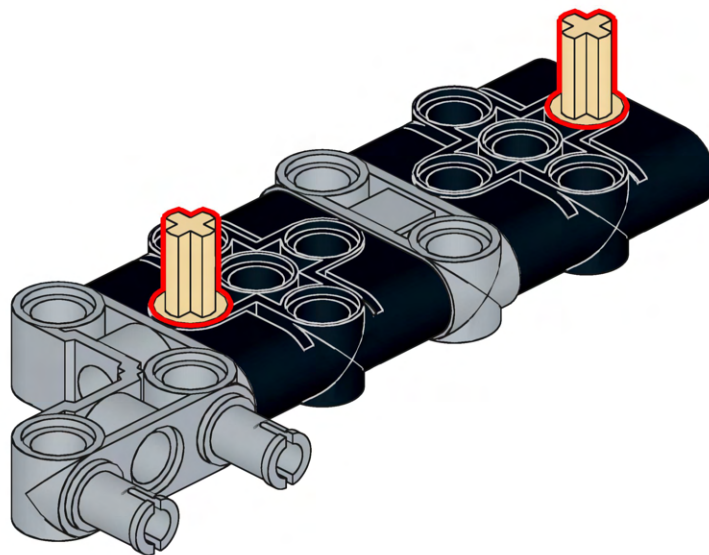
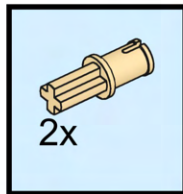
11



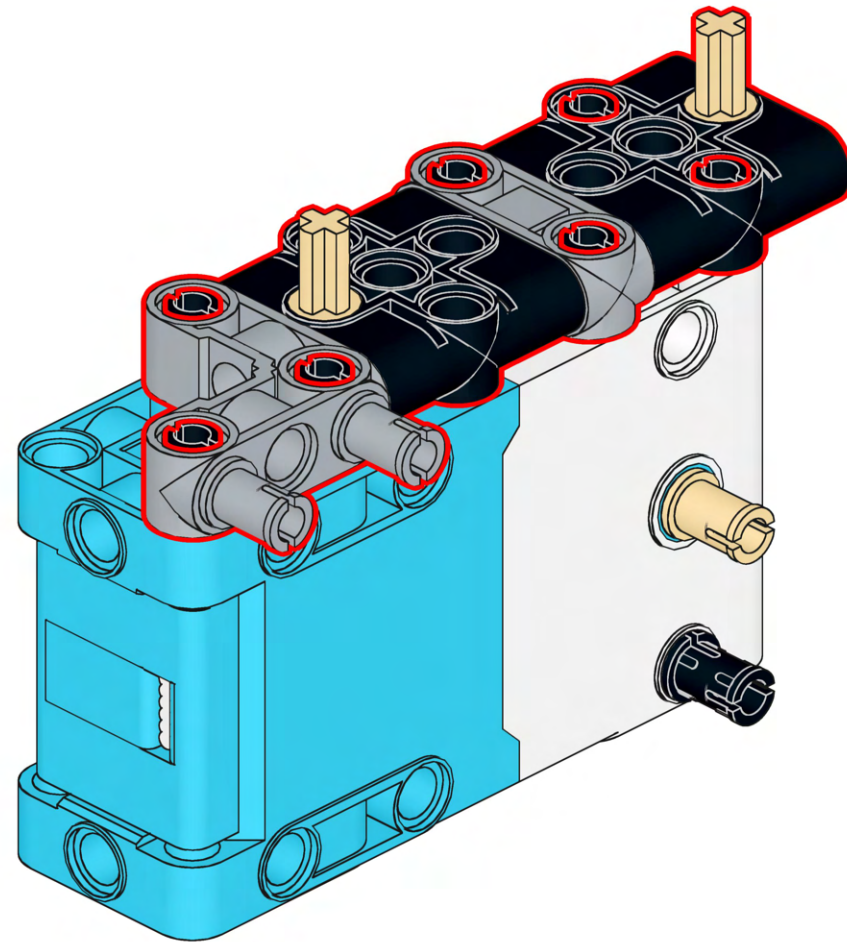
12



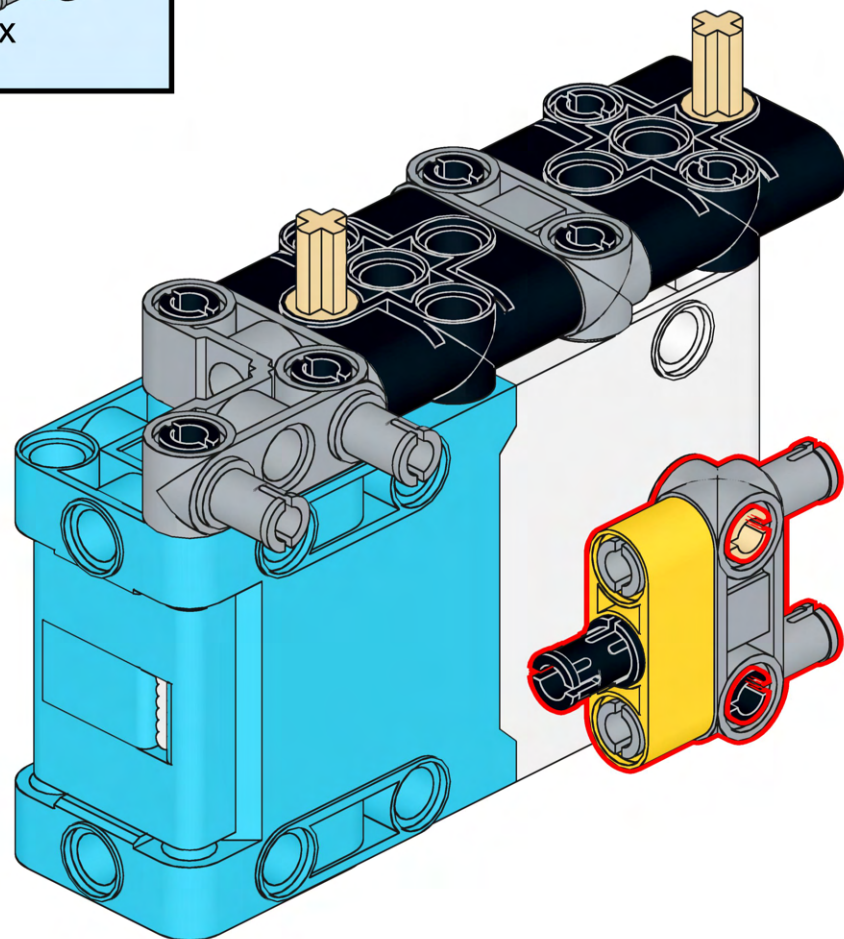
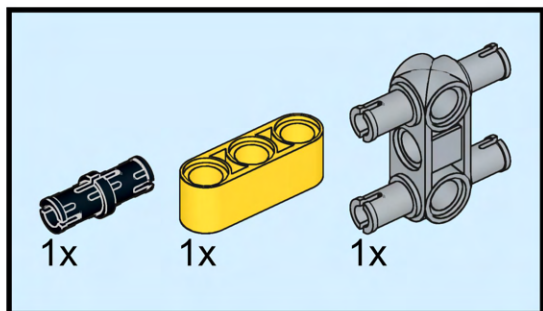
13



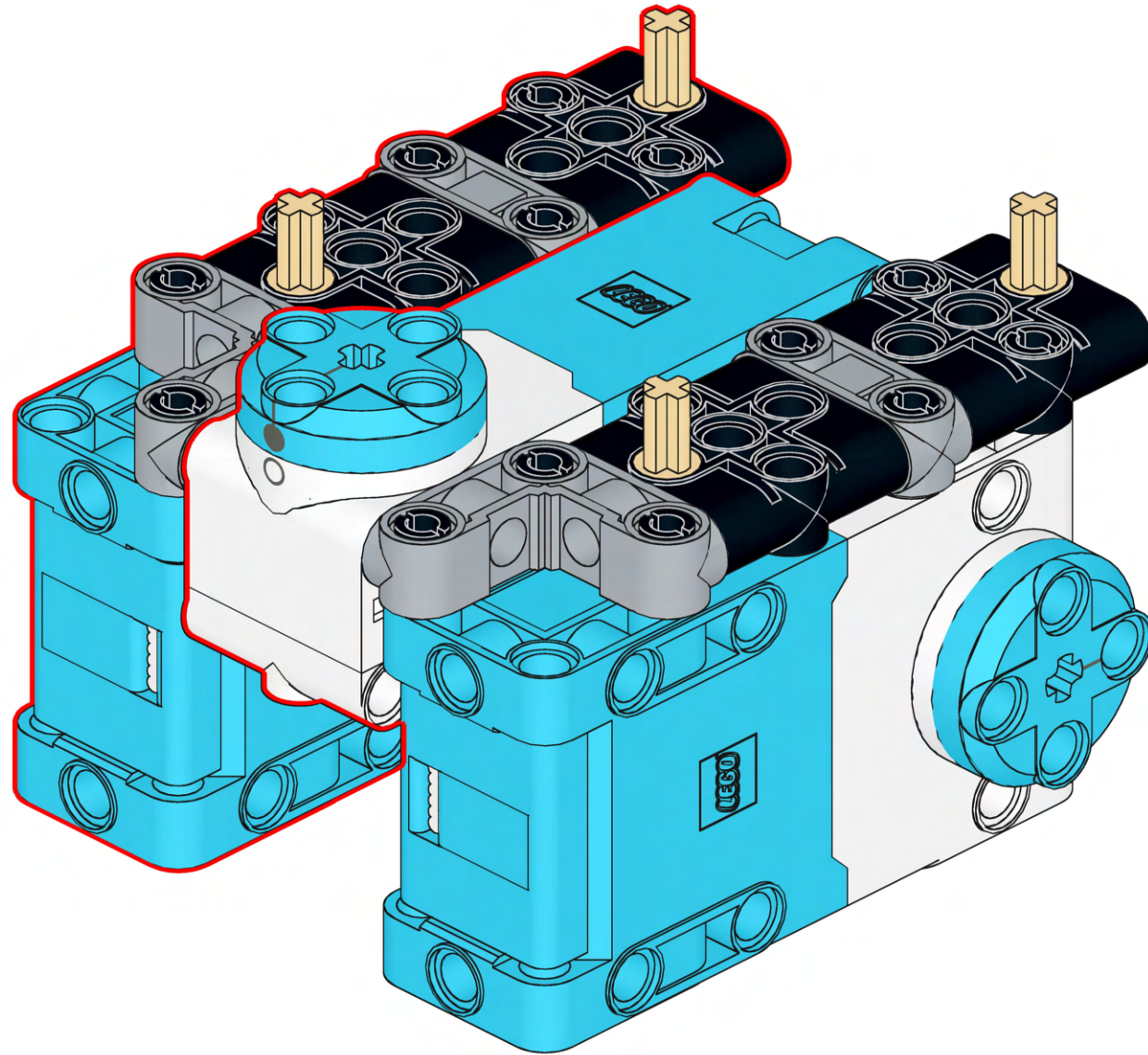
14



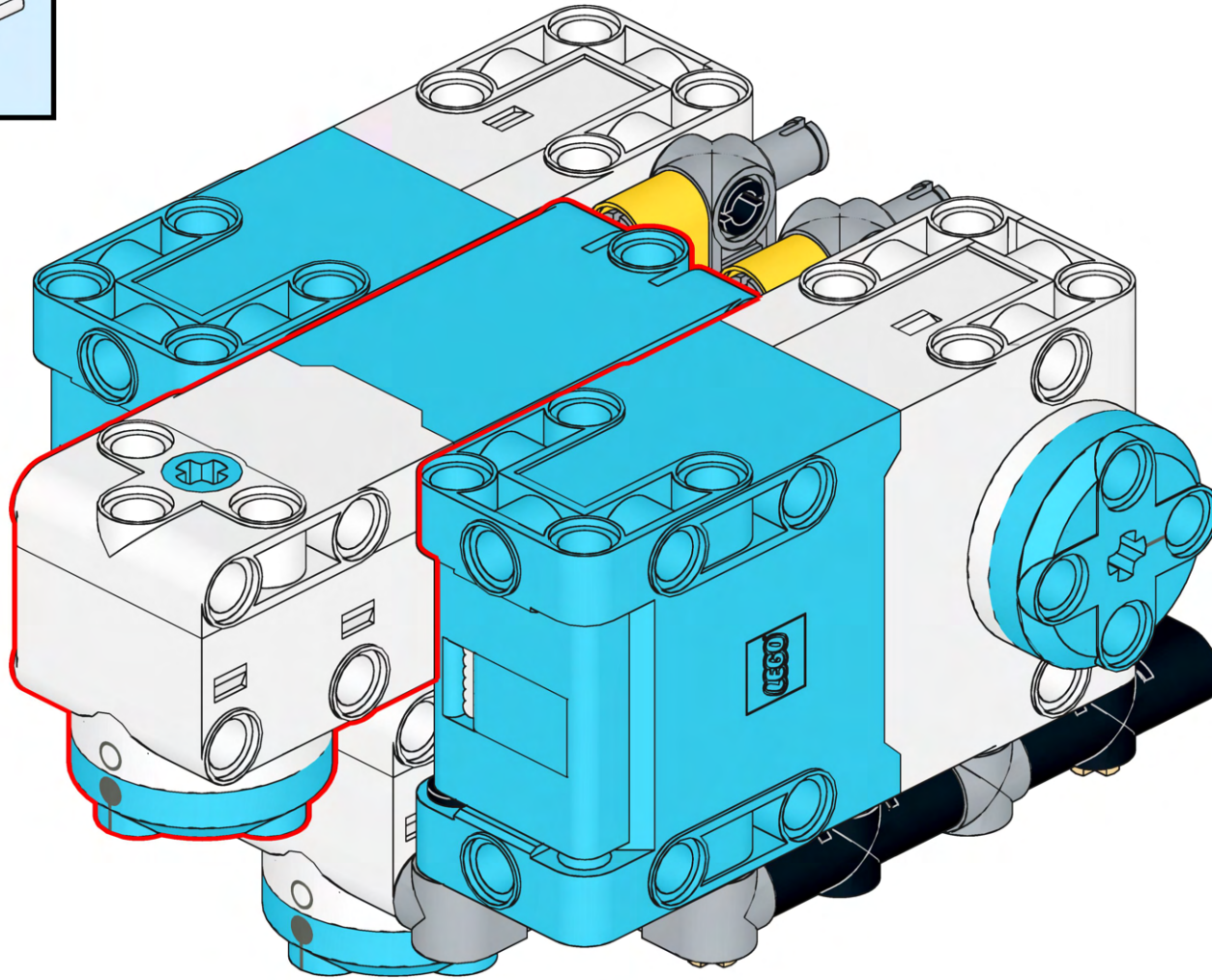
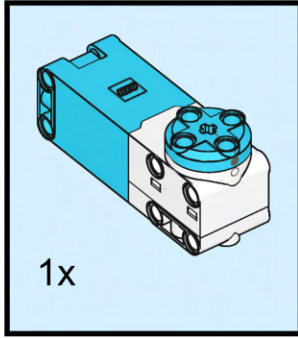
15



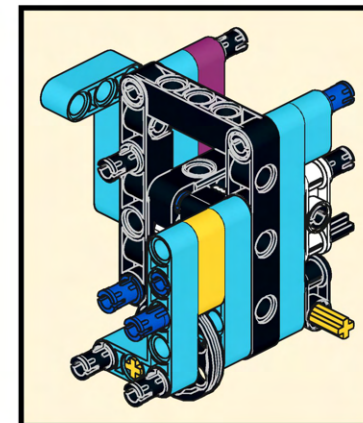
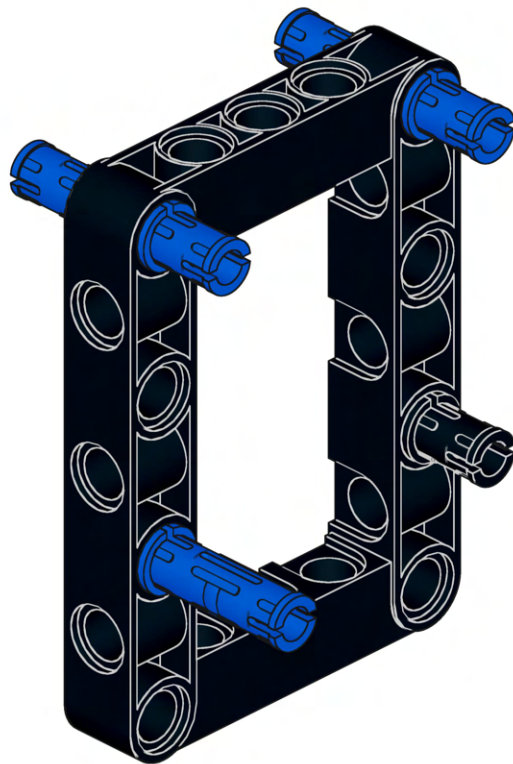
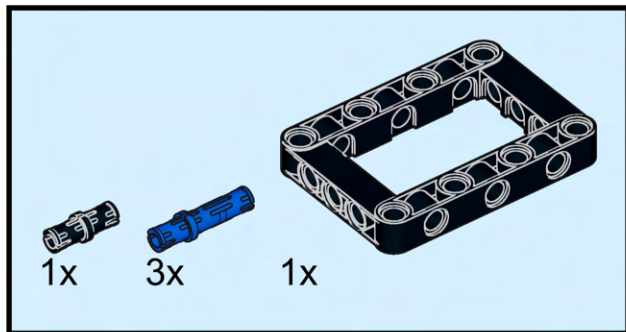
16



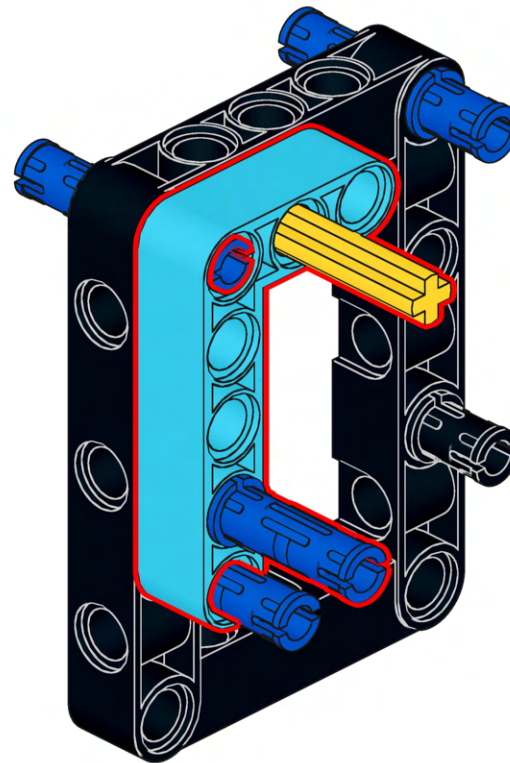
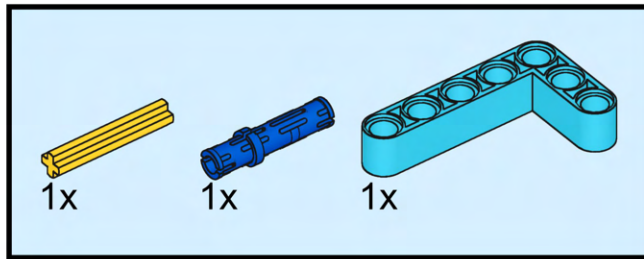
17



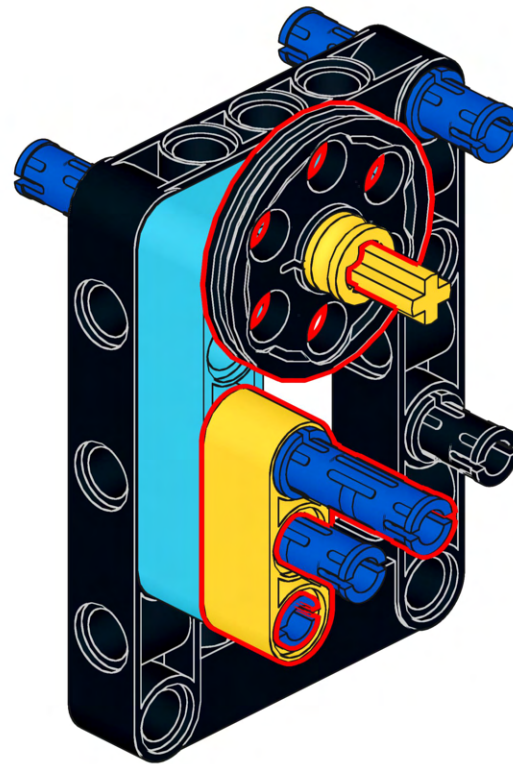
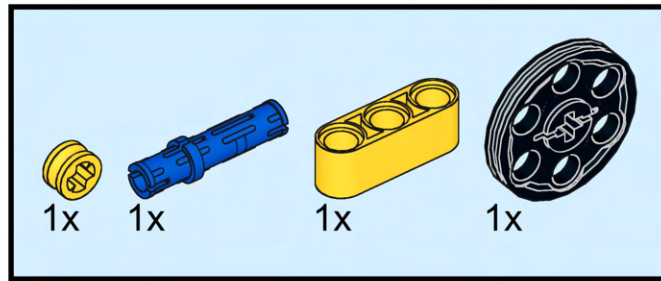
18



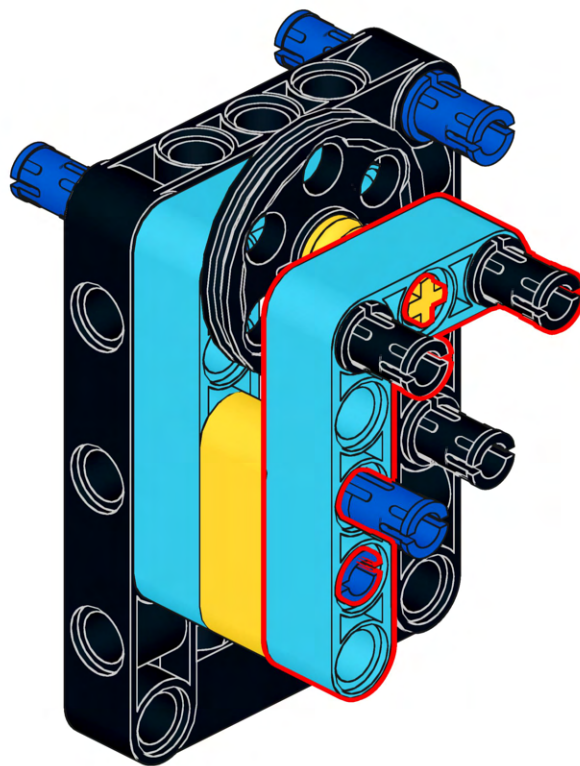
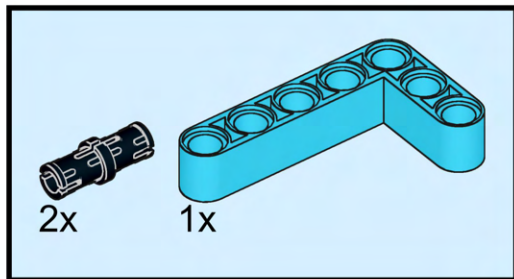
19



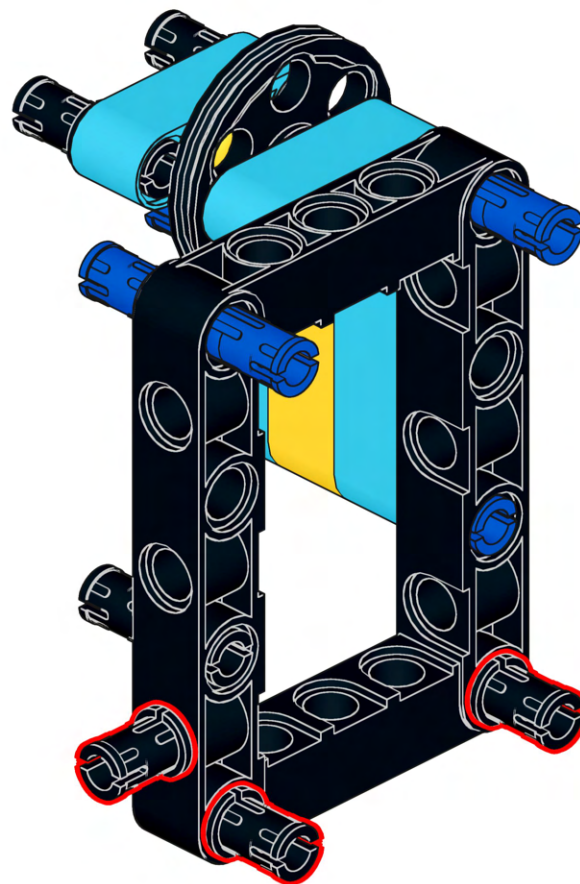
20



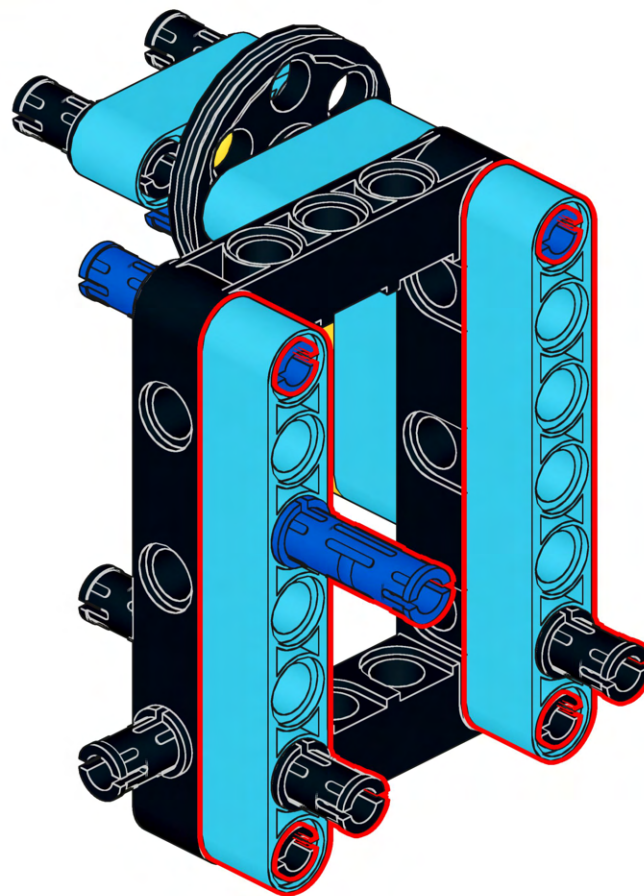
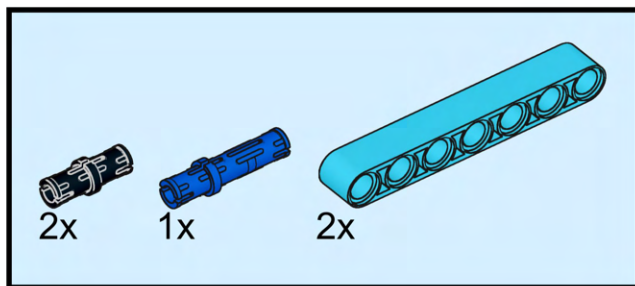
21



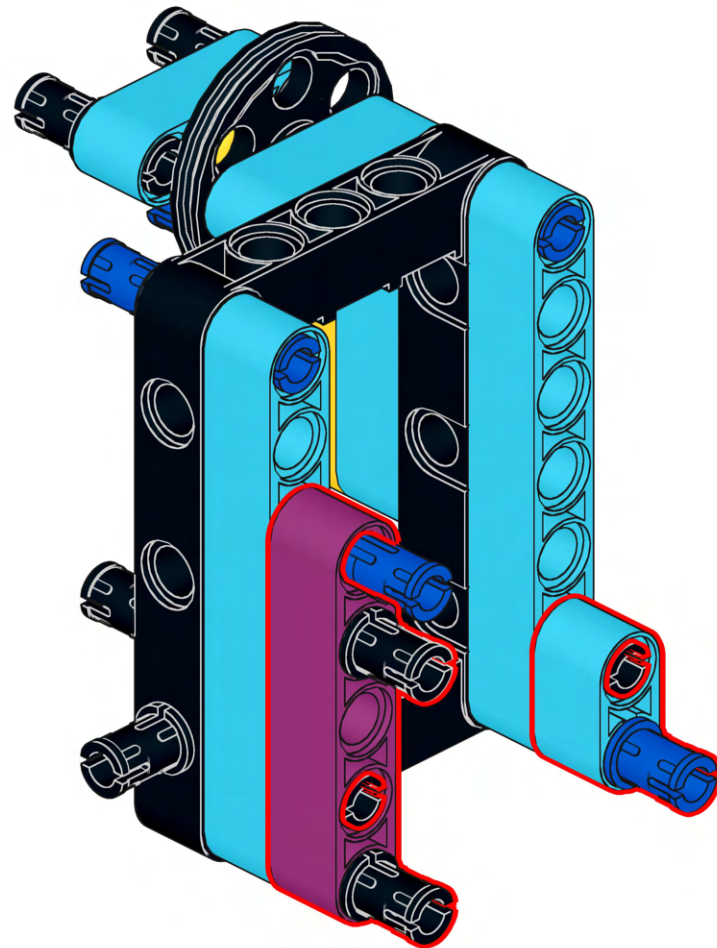
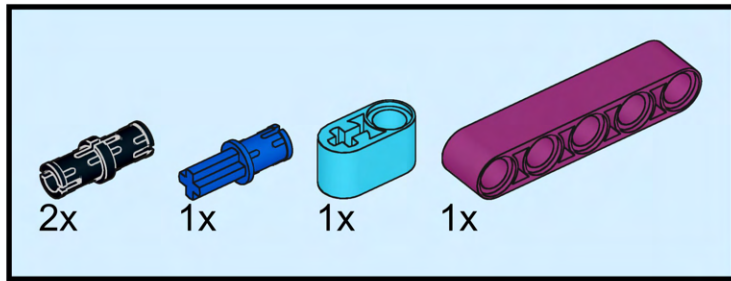
22



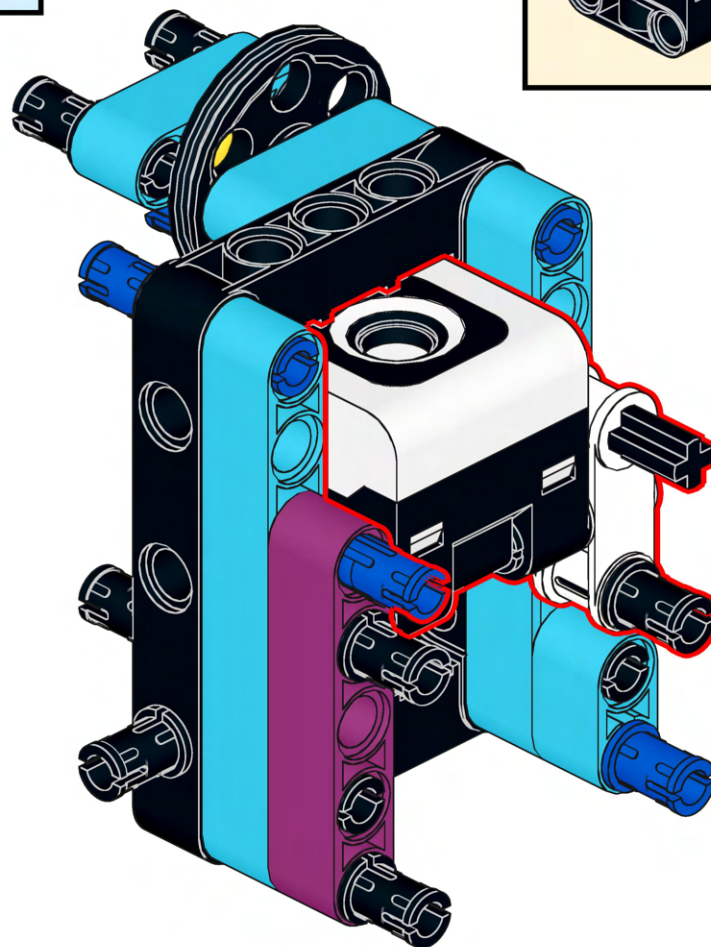
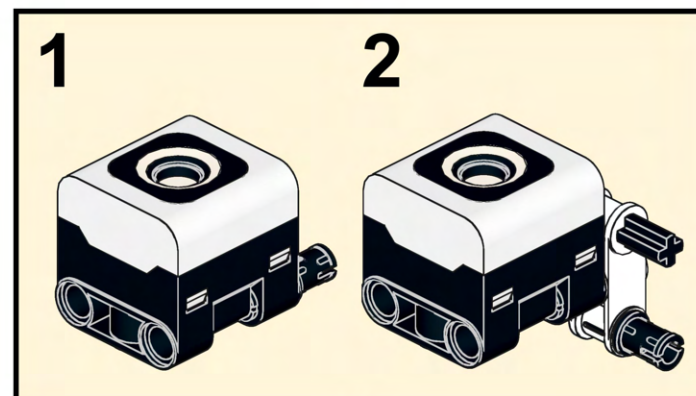
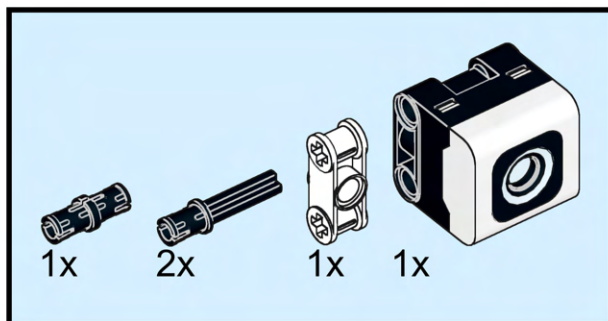
23



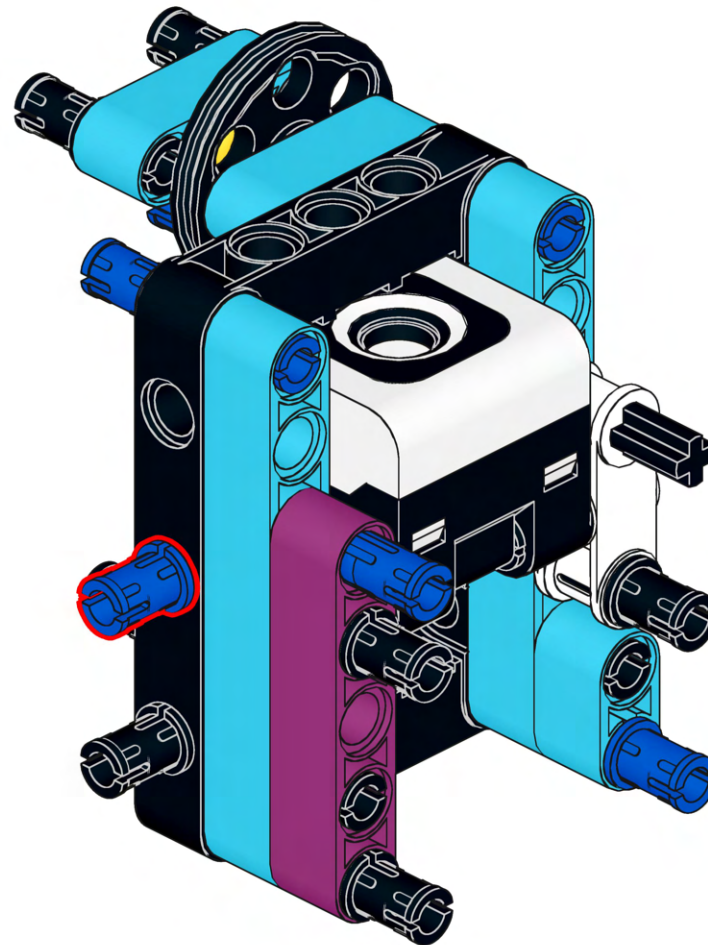
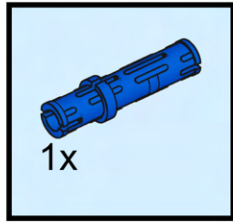
24



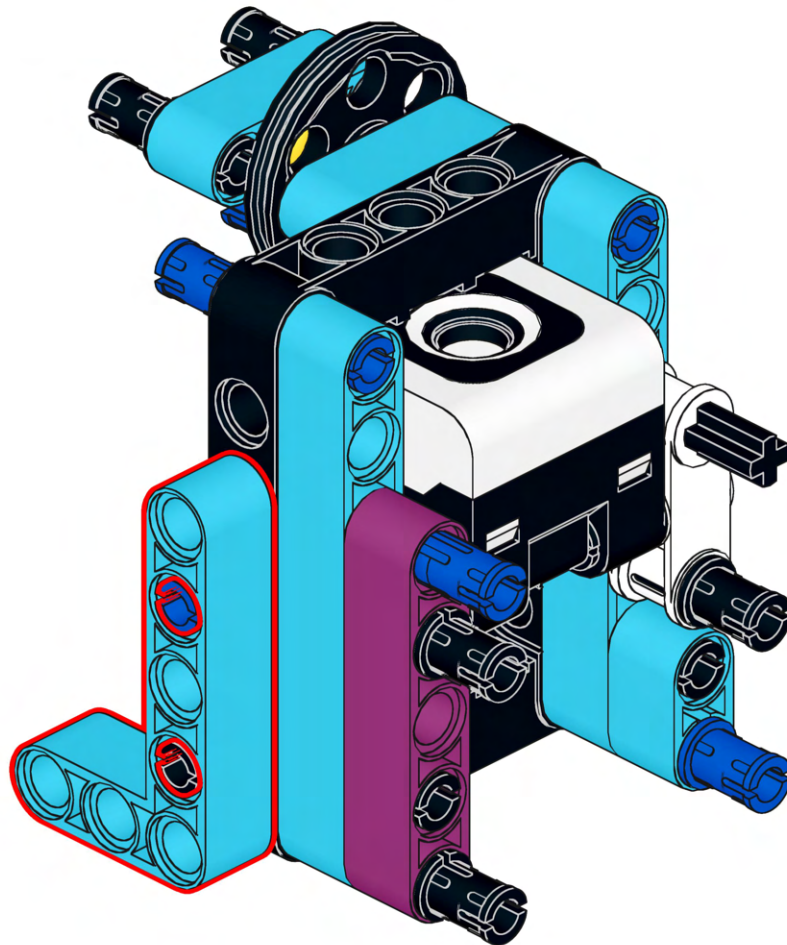
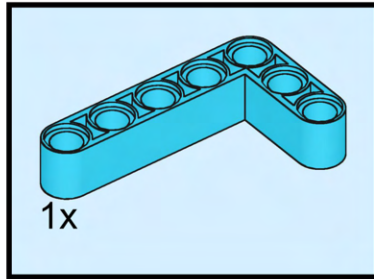
25



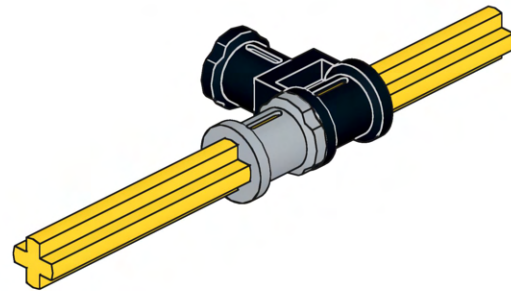
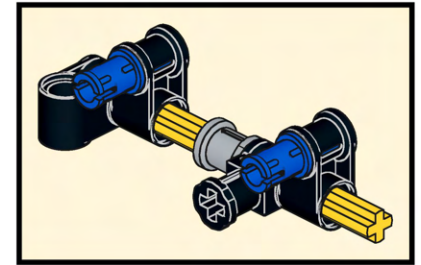
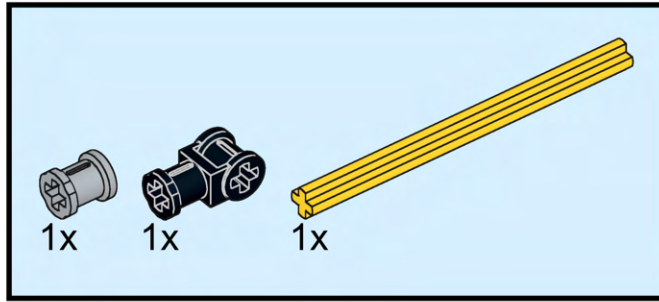
26



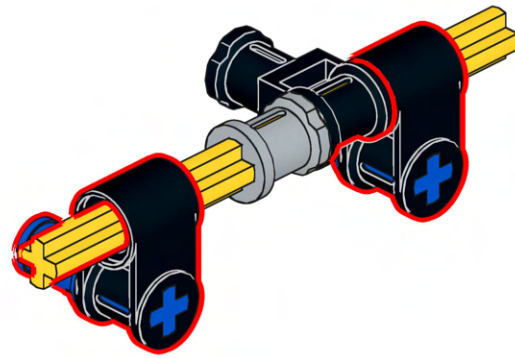
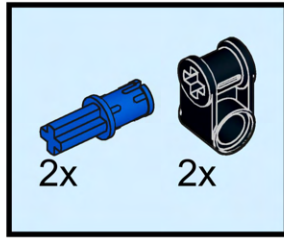
27



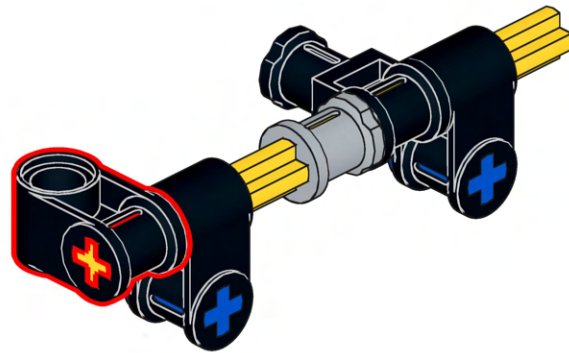
28



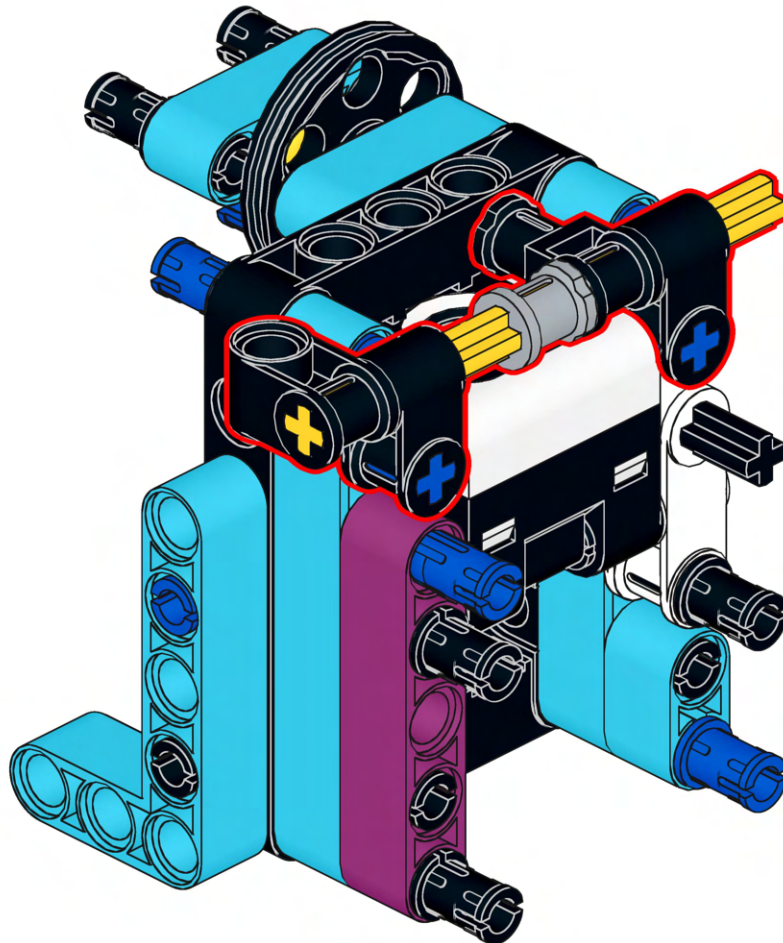
29



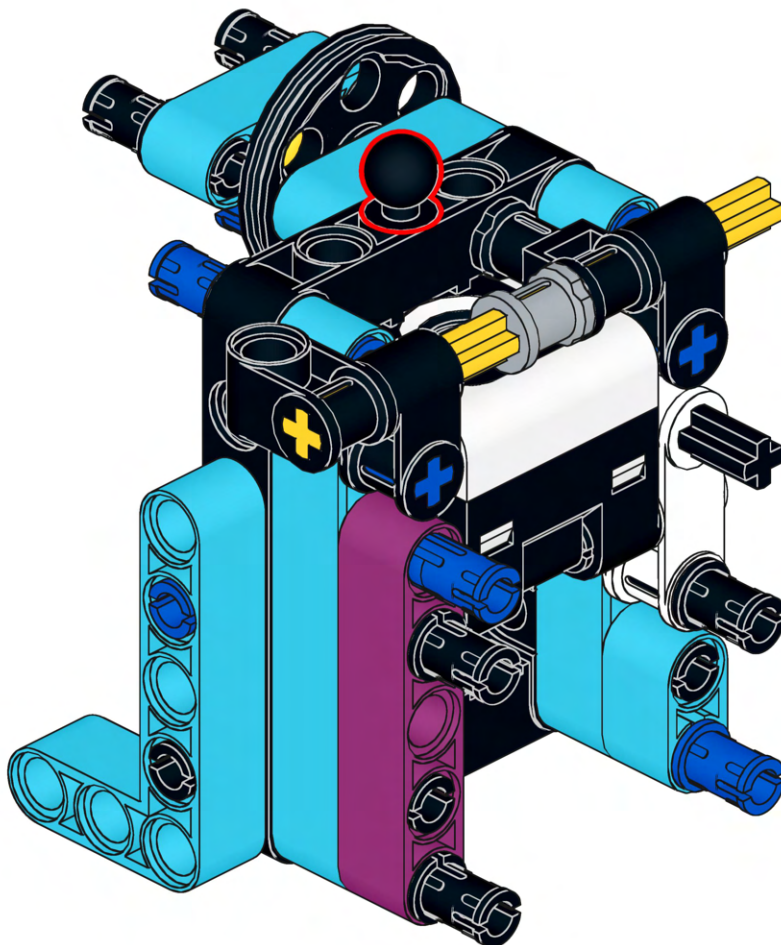
30



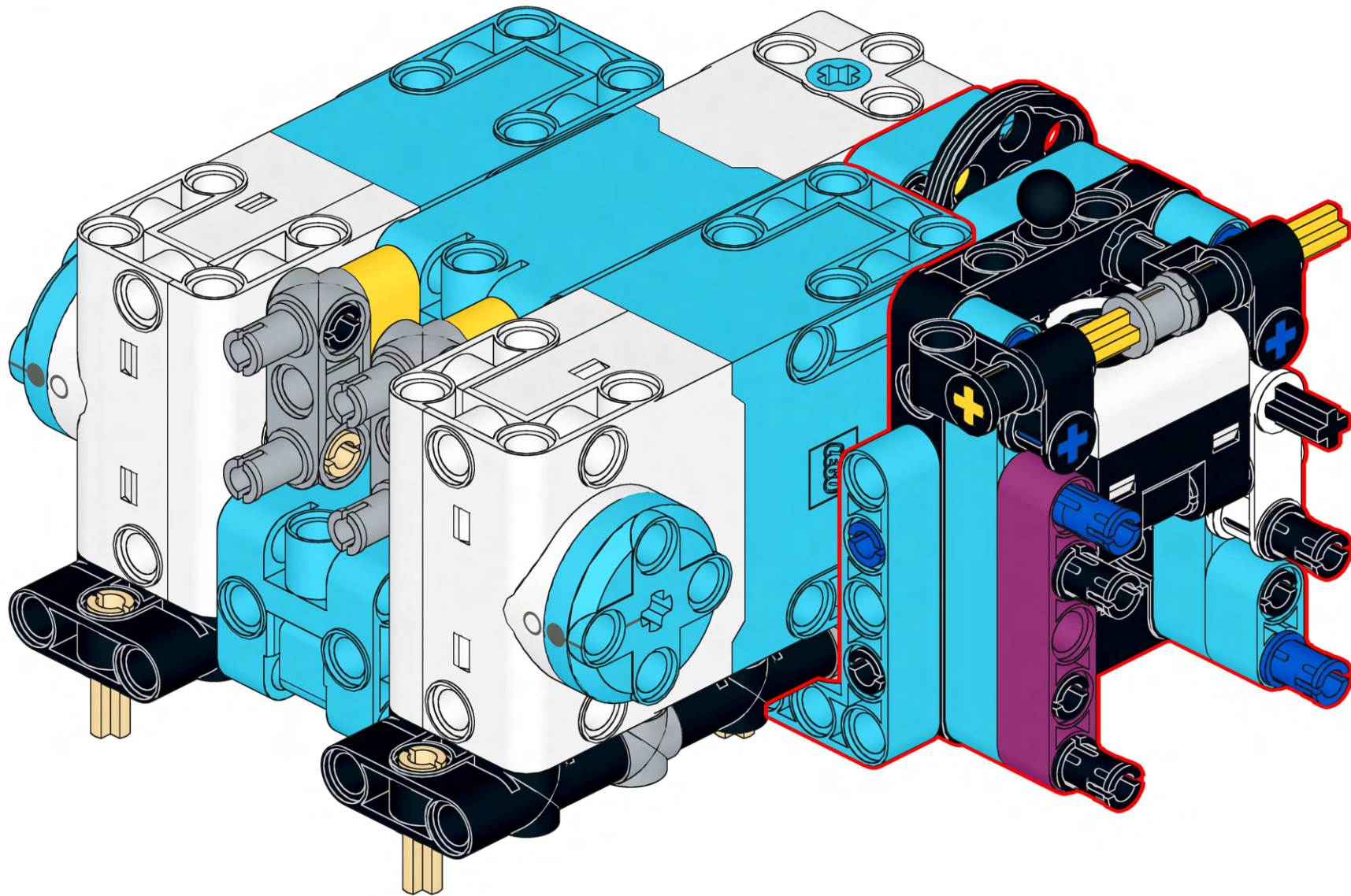
31



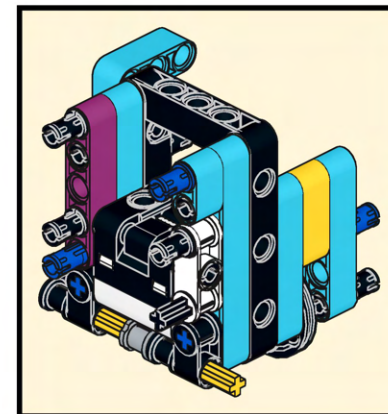
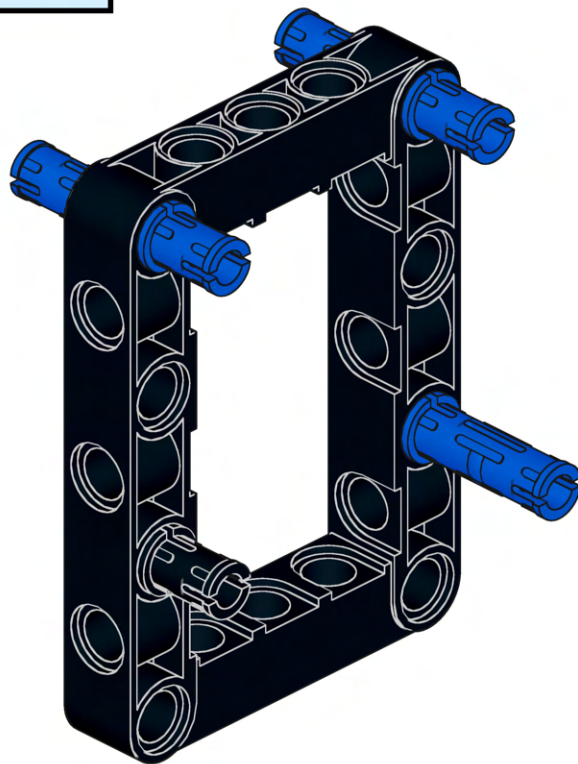
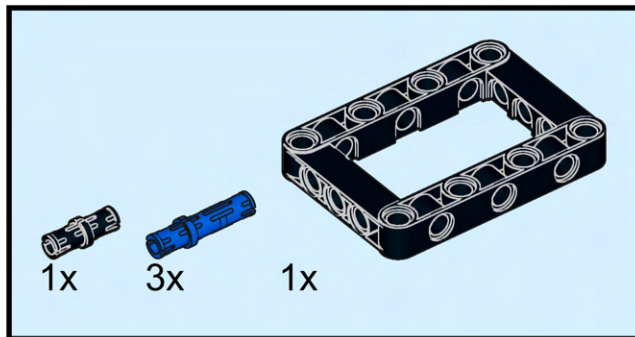
32



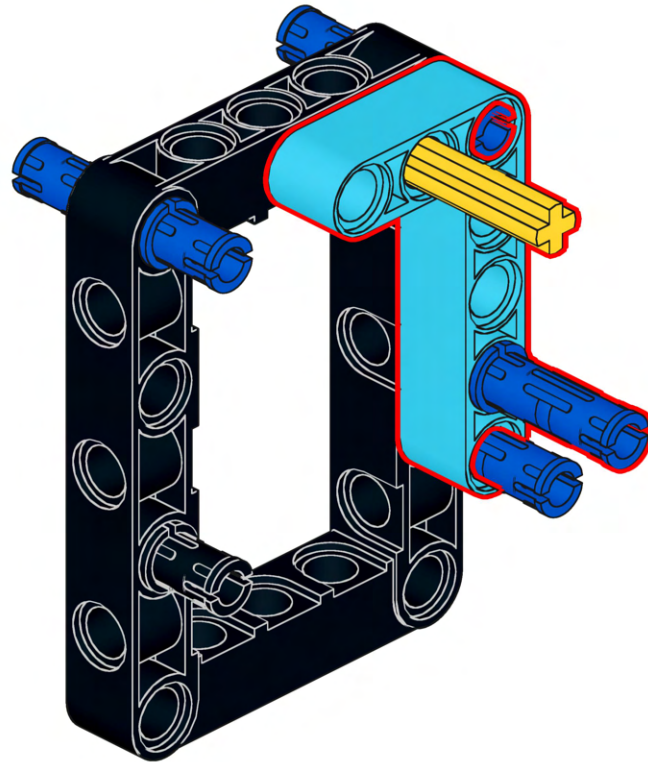
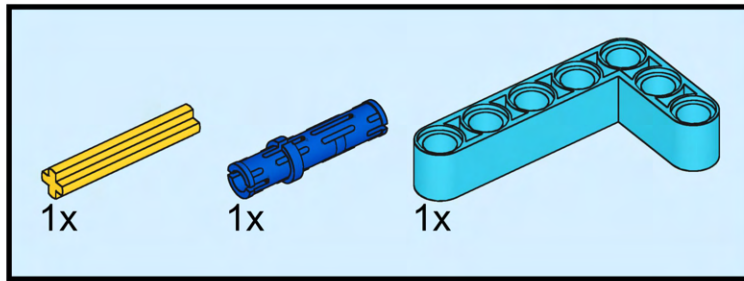
33



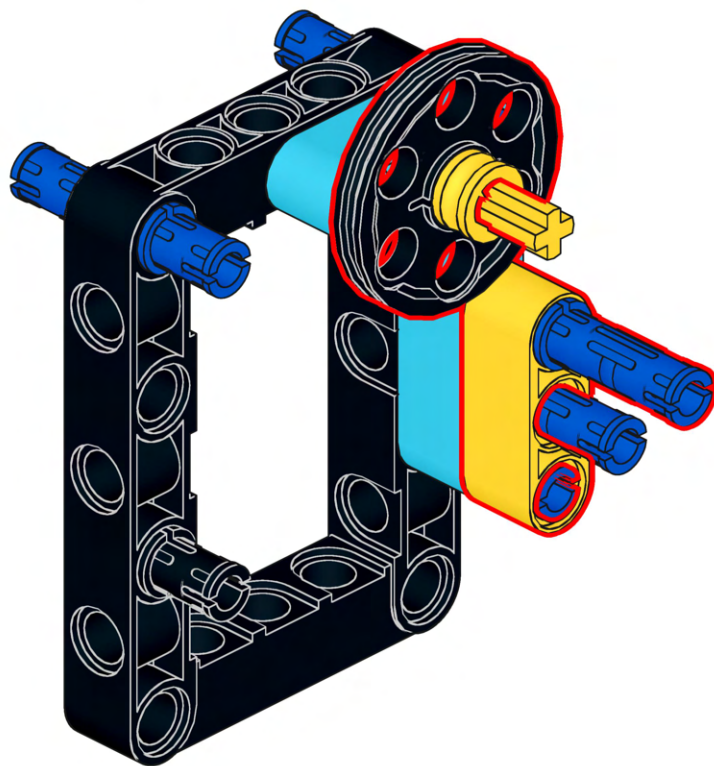
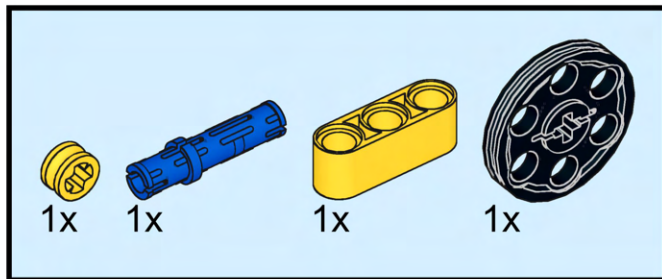
34



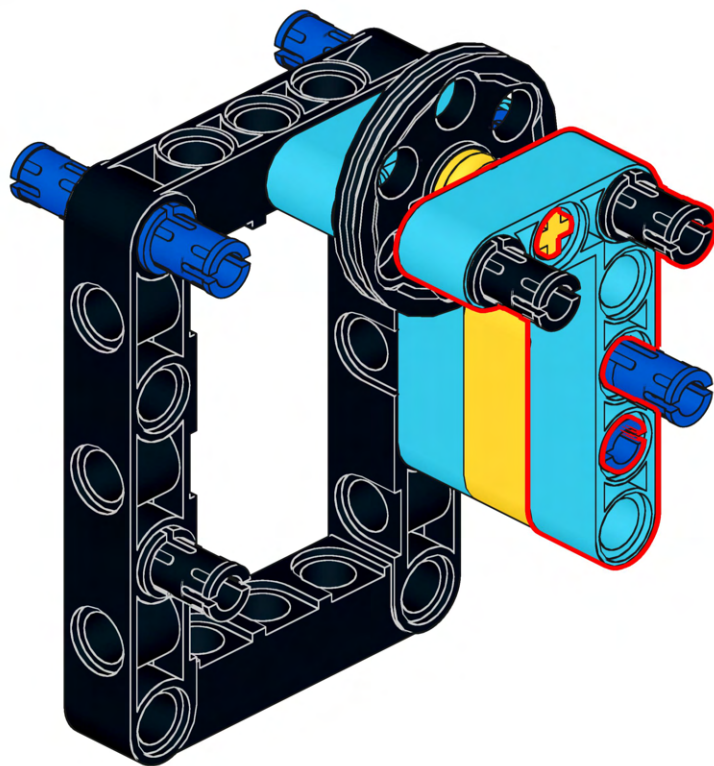
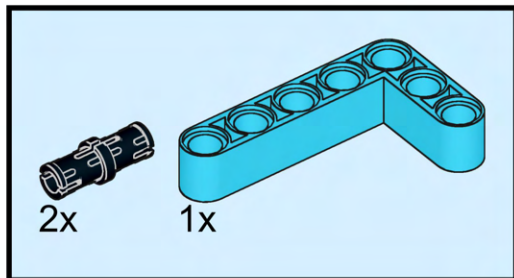
35



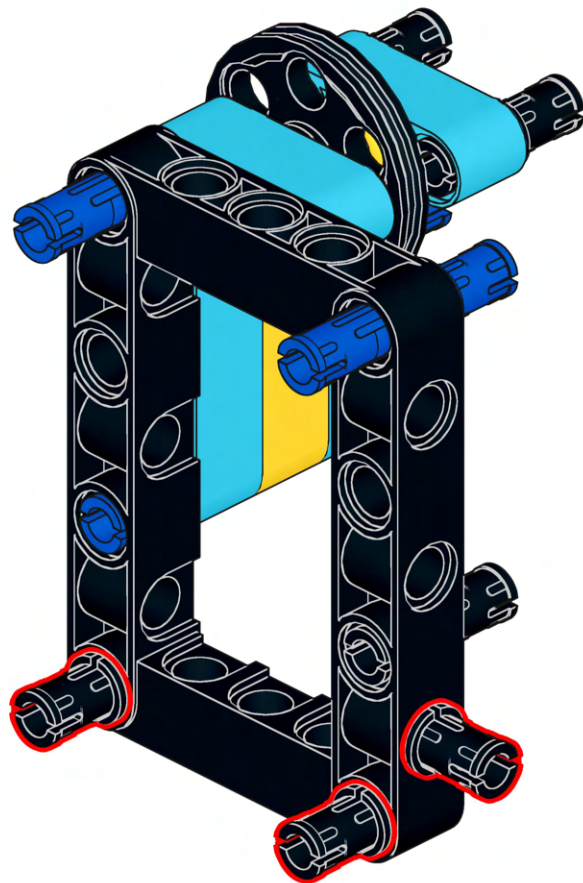
36



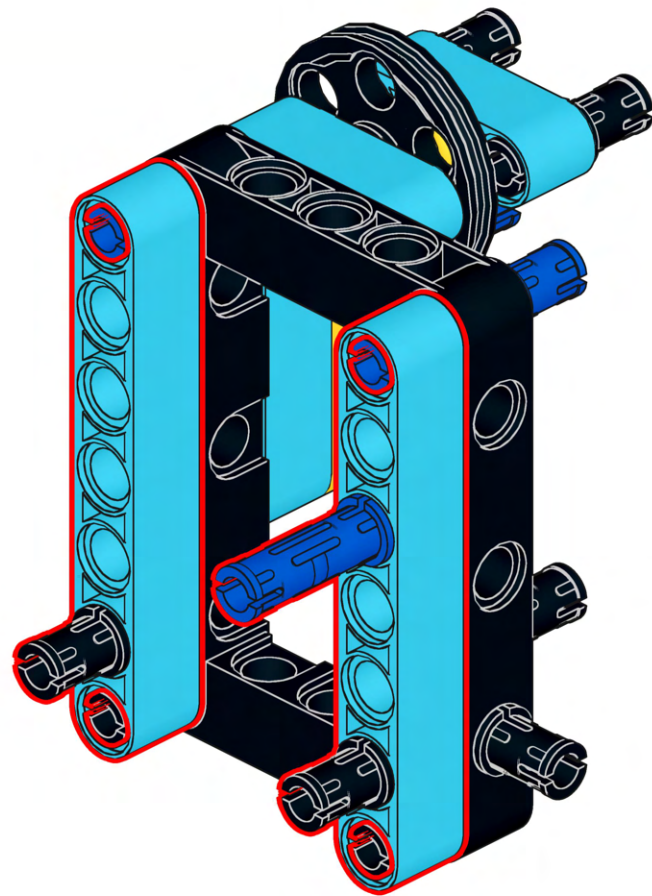
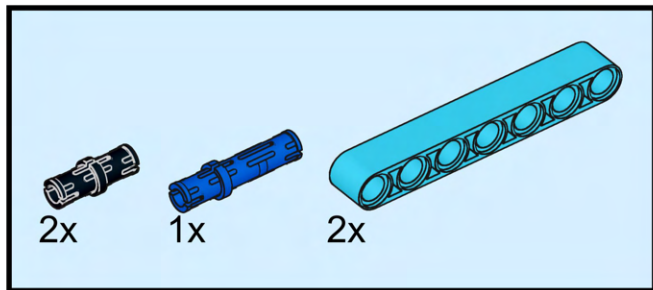
37



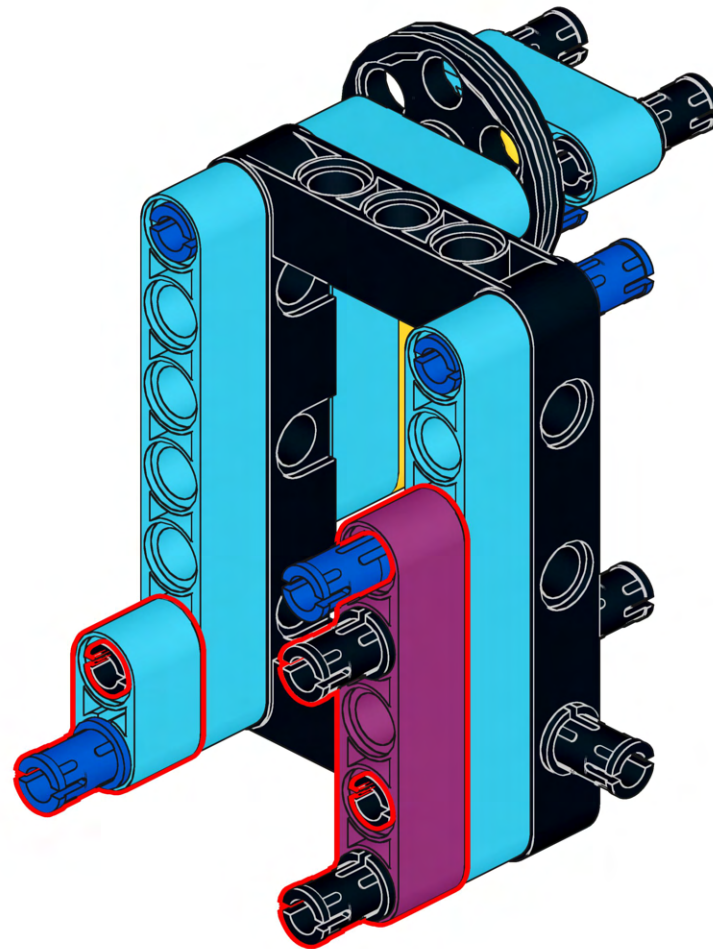
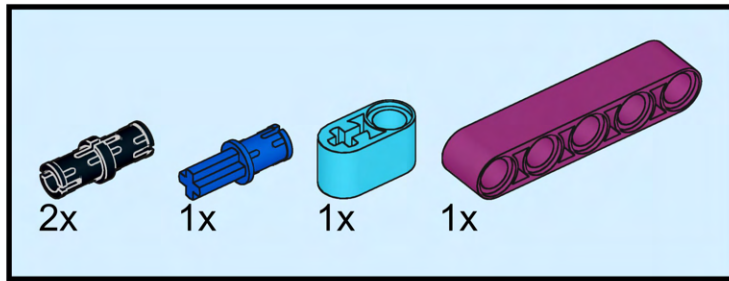
38



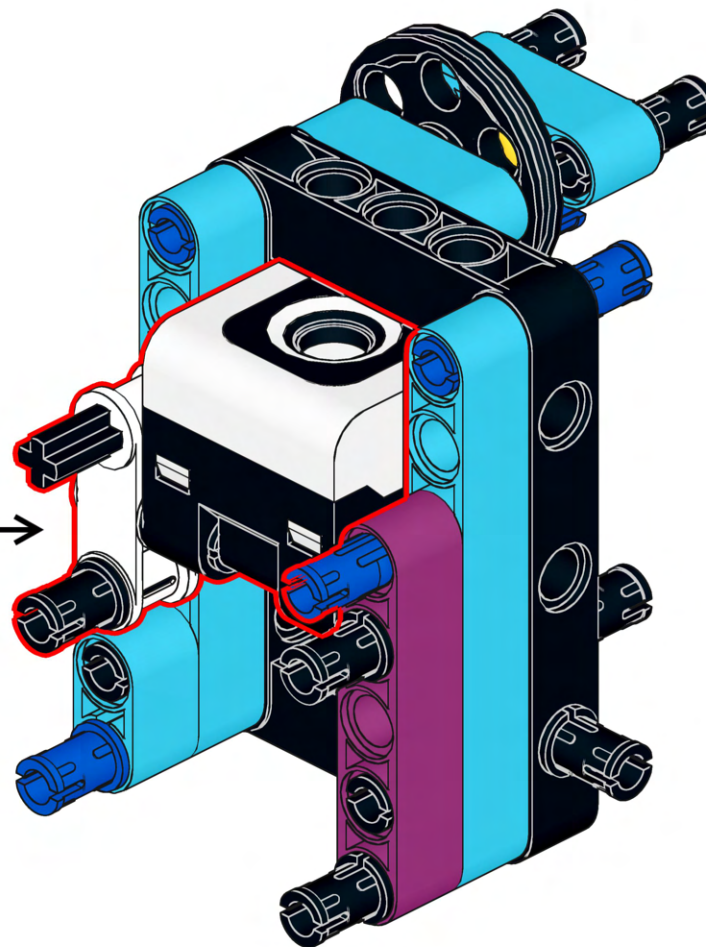
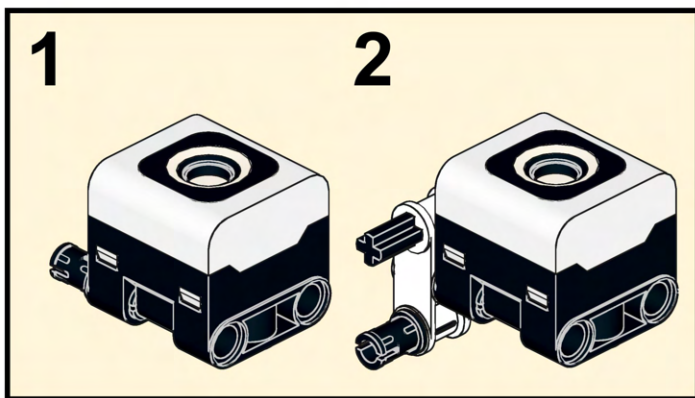
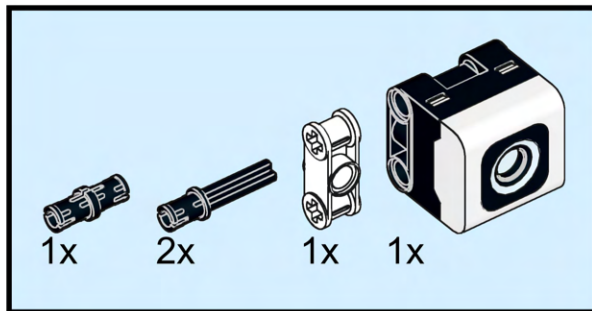
39



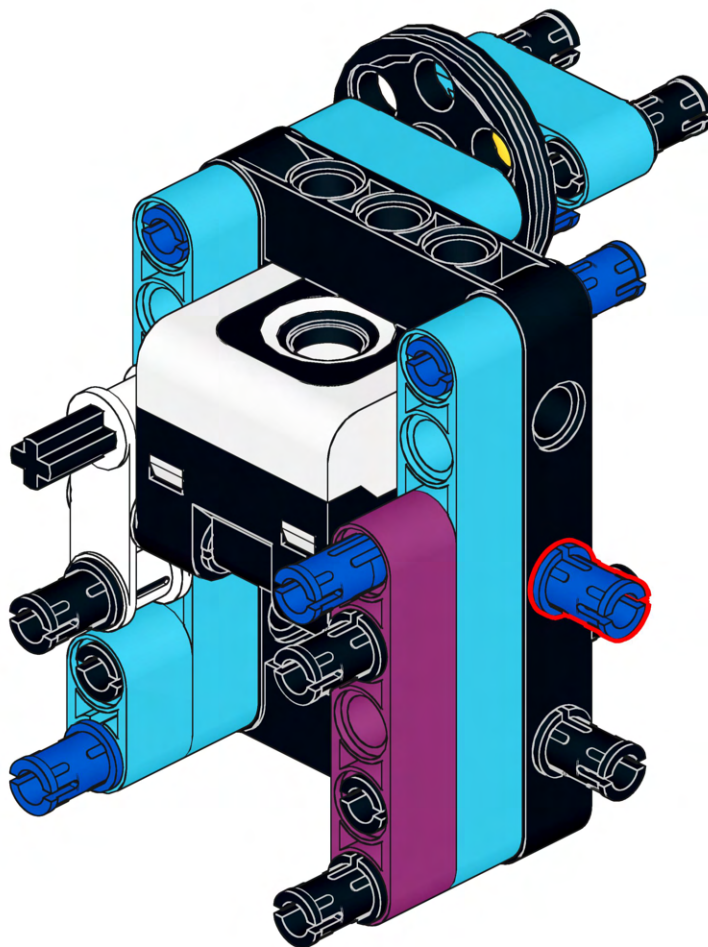
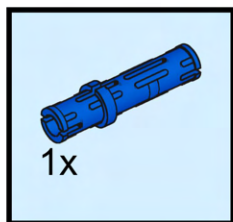
40



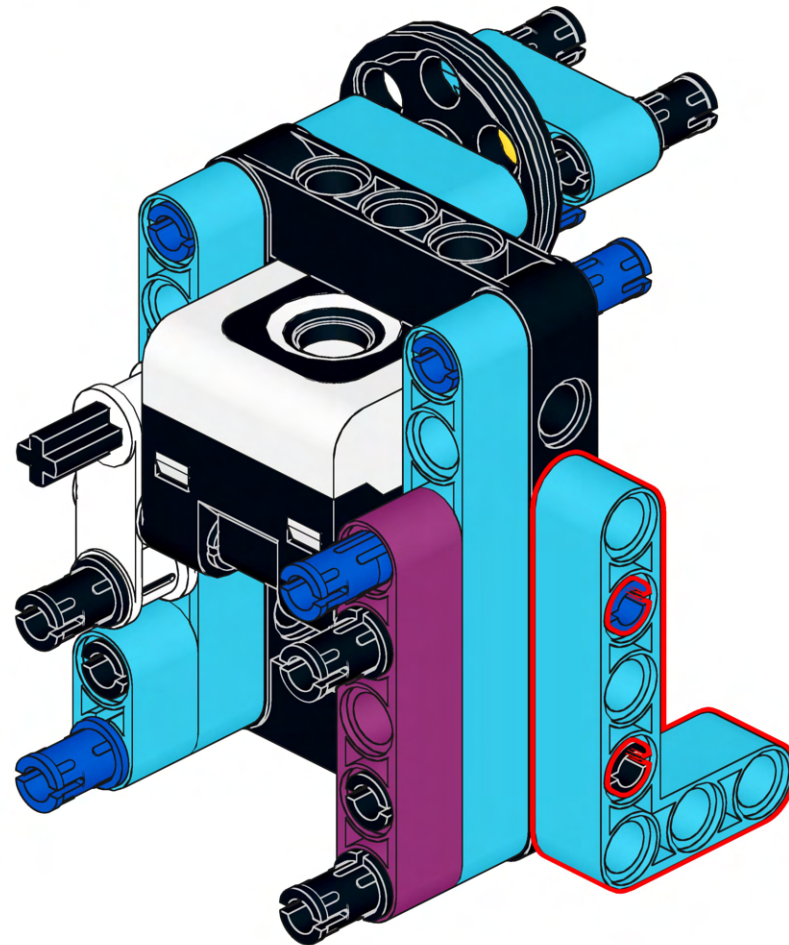
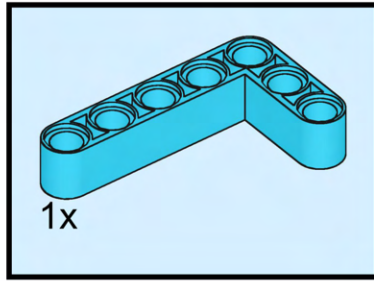
41



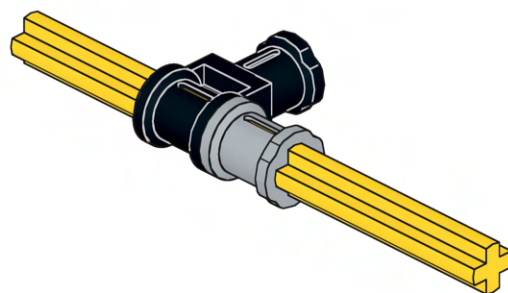
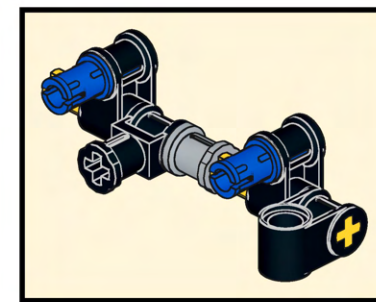
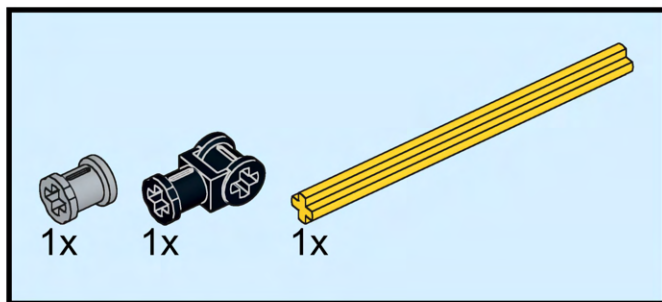
42



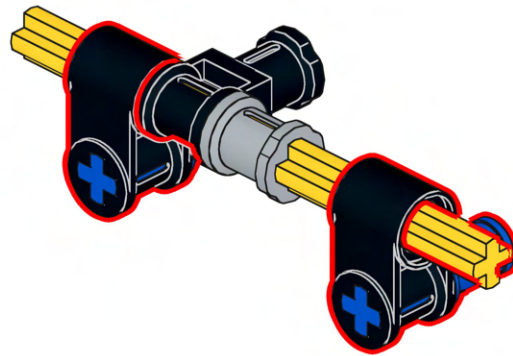
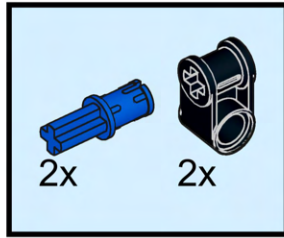
43



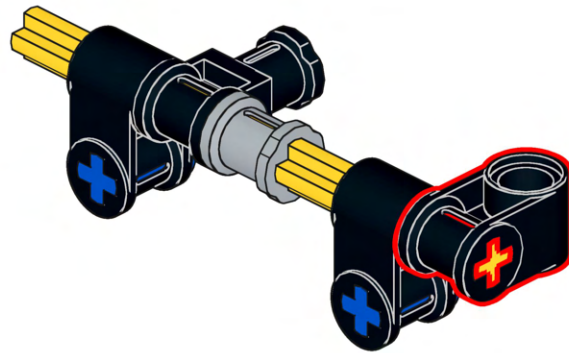
44



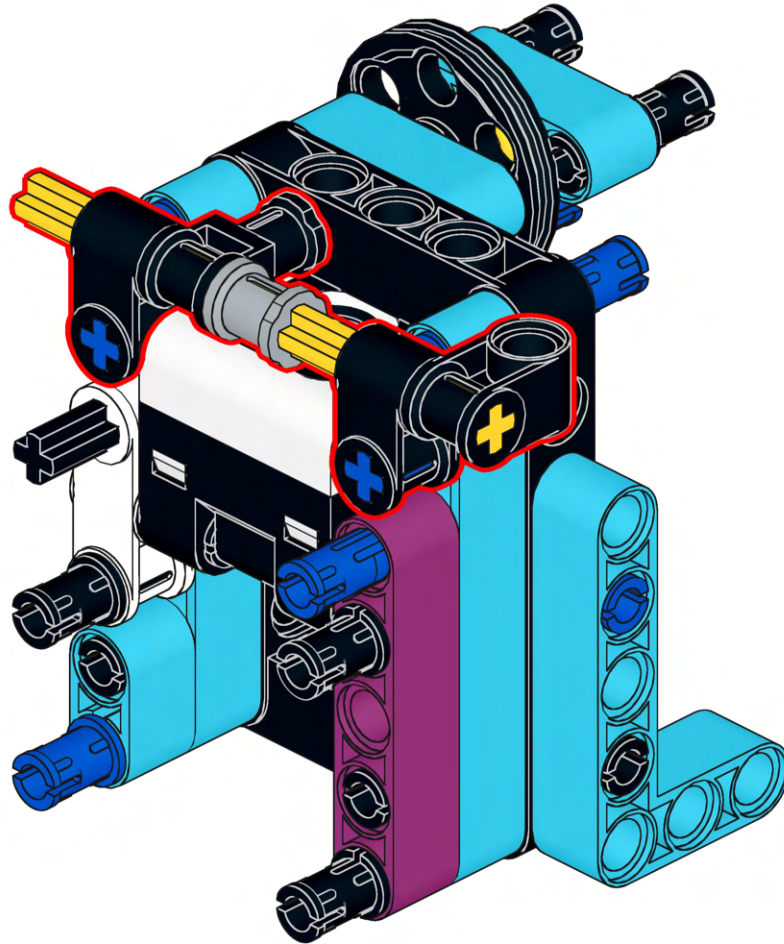
45



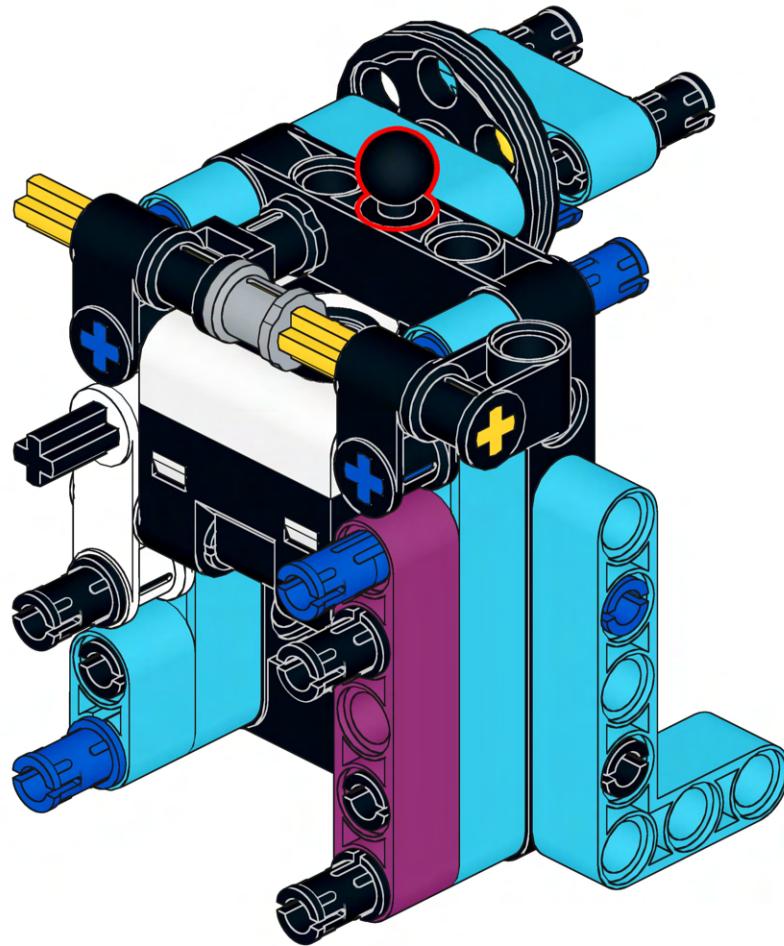
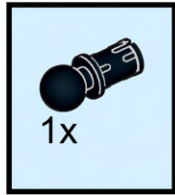
46



47

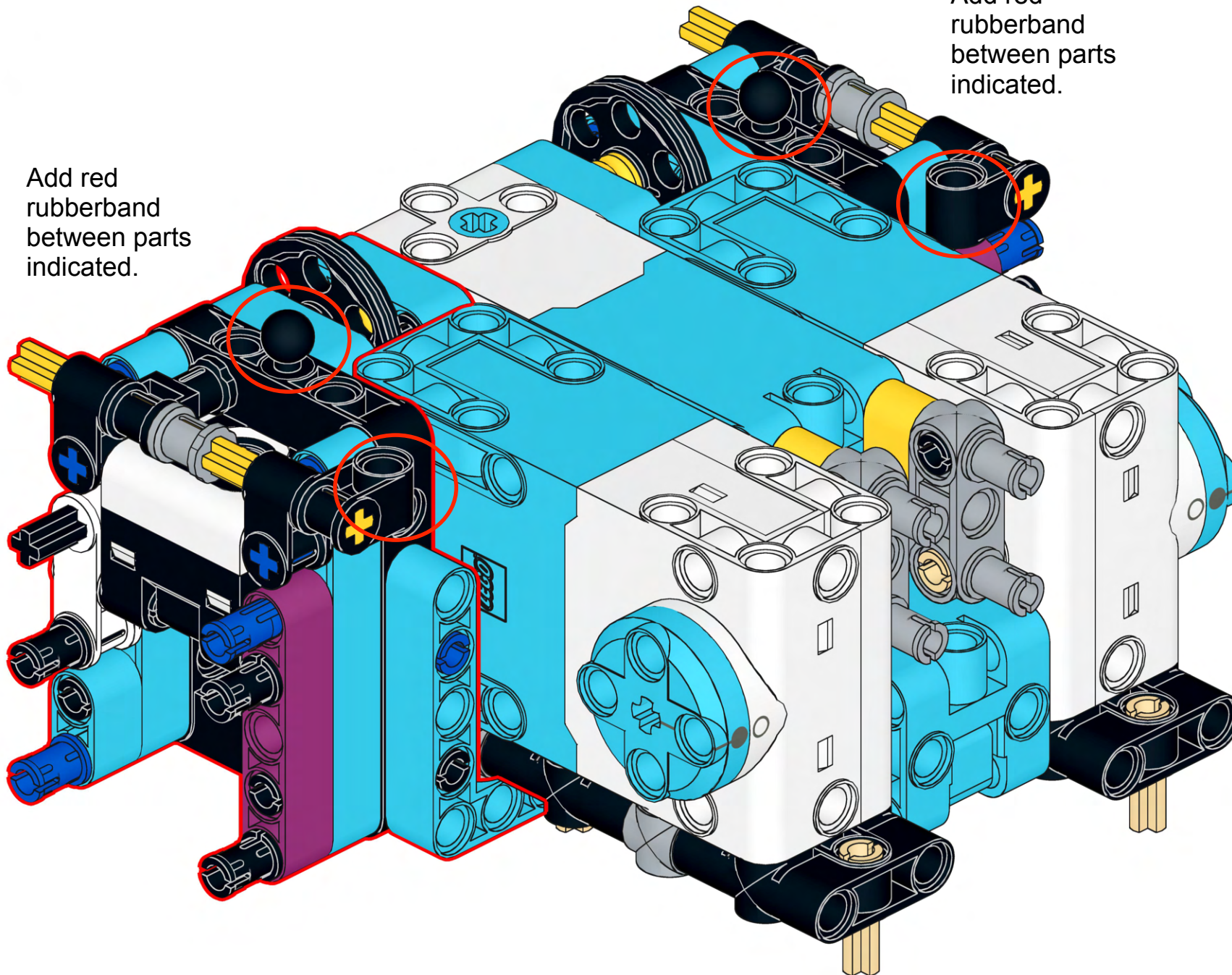


48



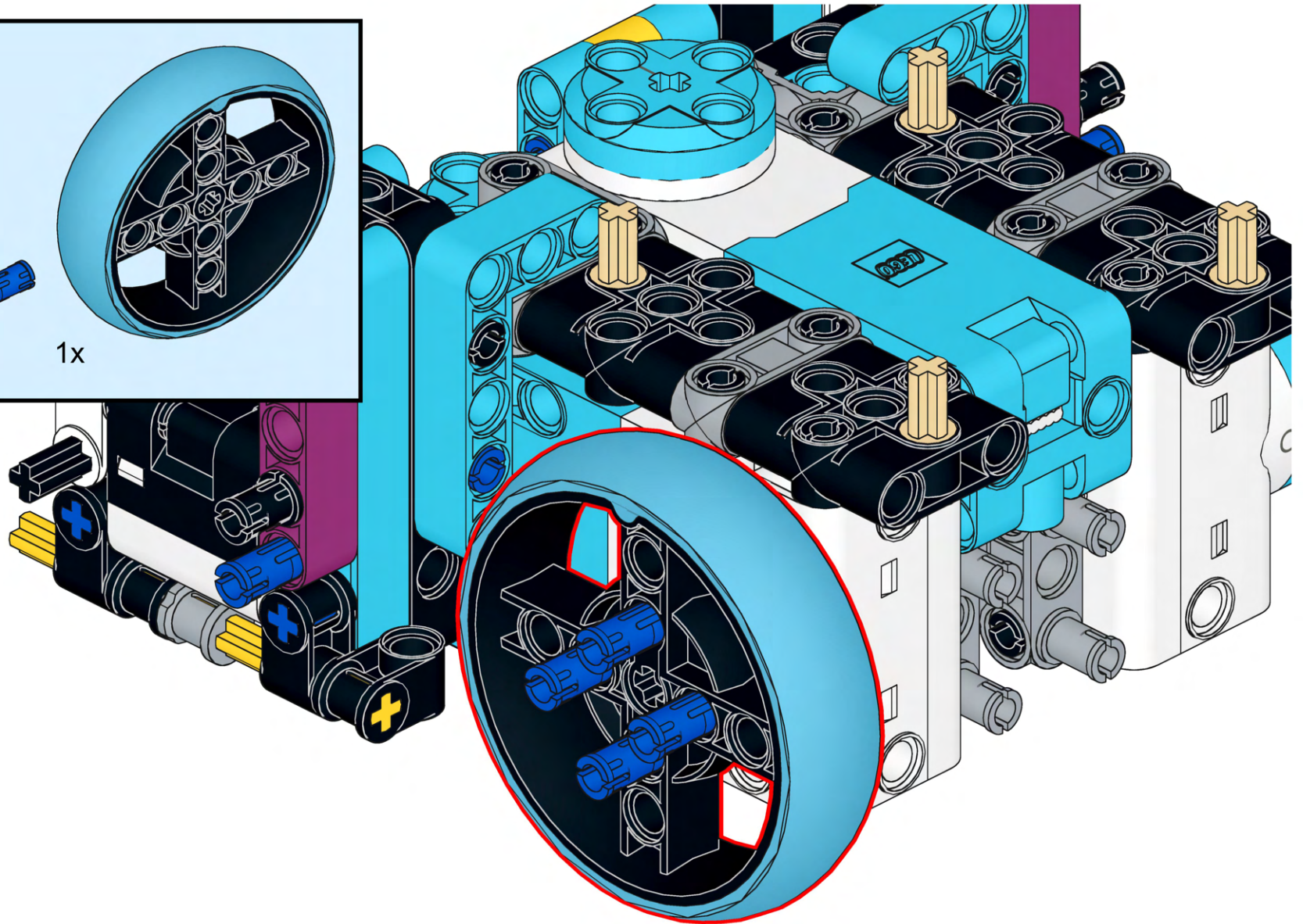
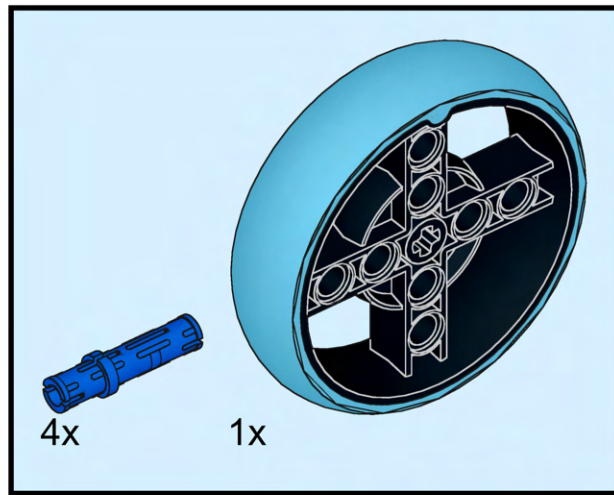
49

Add red rubberband between parts indicated.

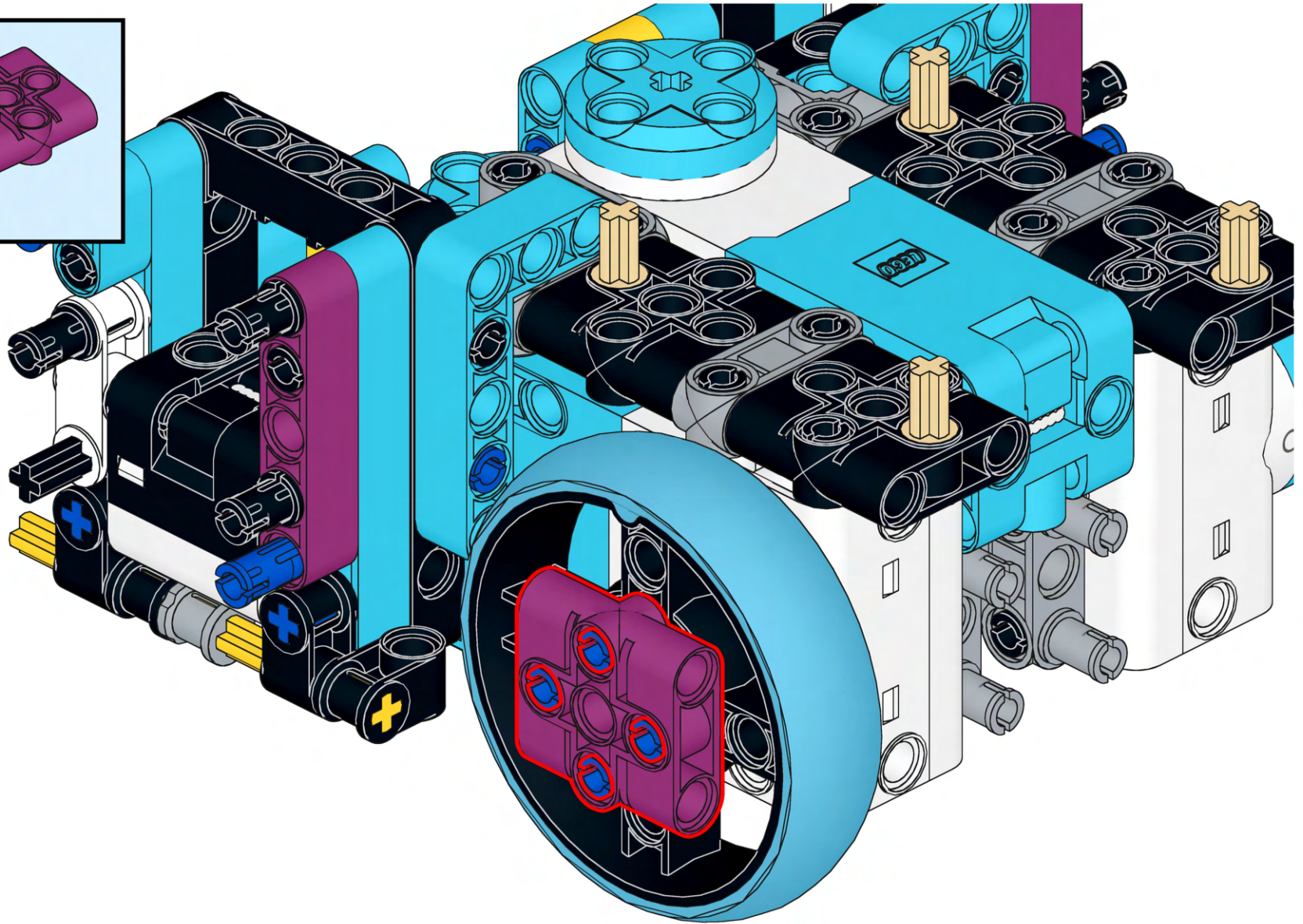
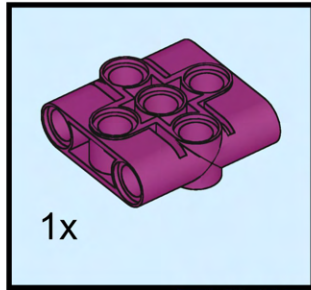


Add red rubberband between parts indicated.

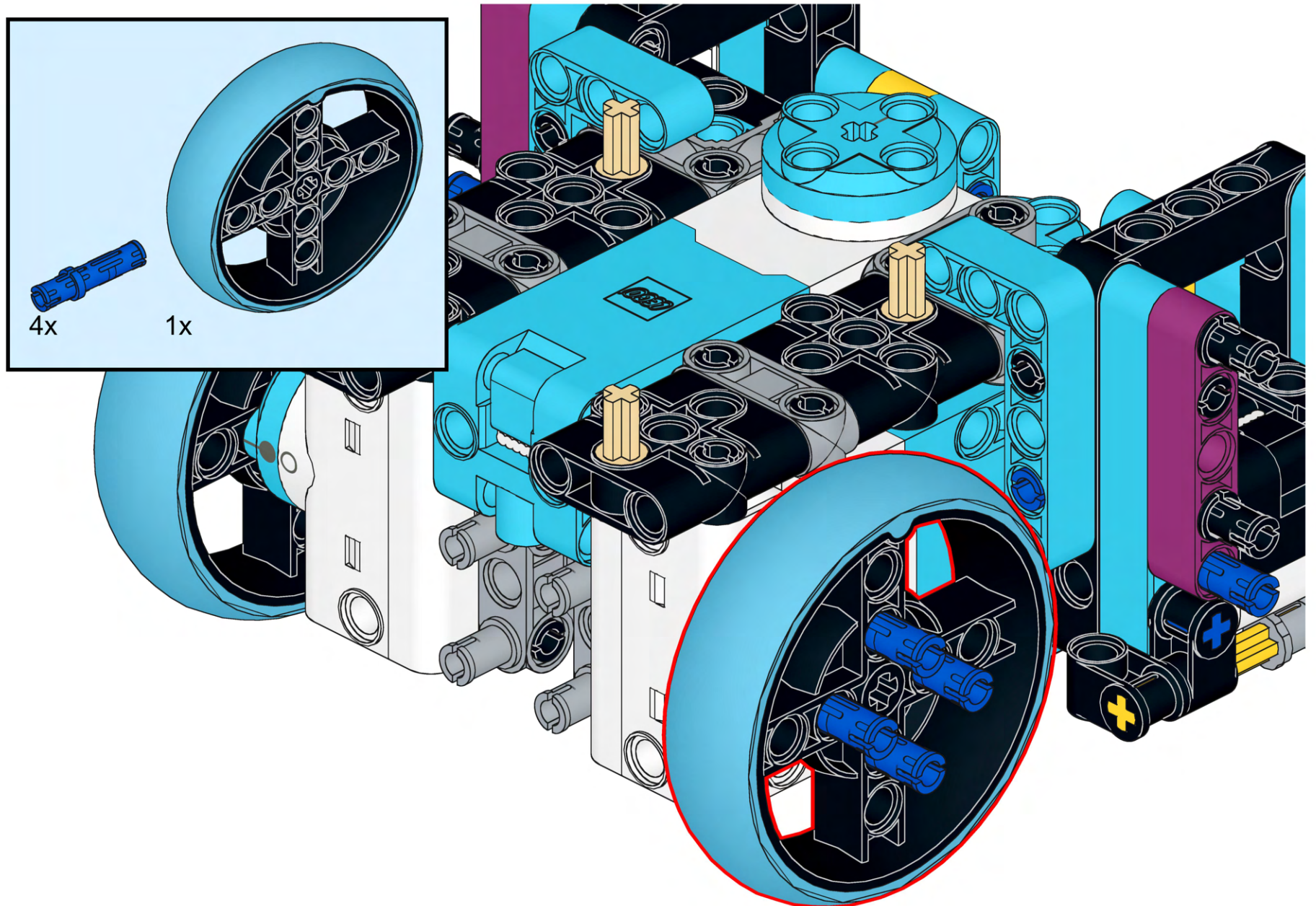
50



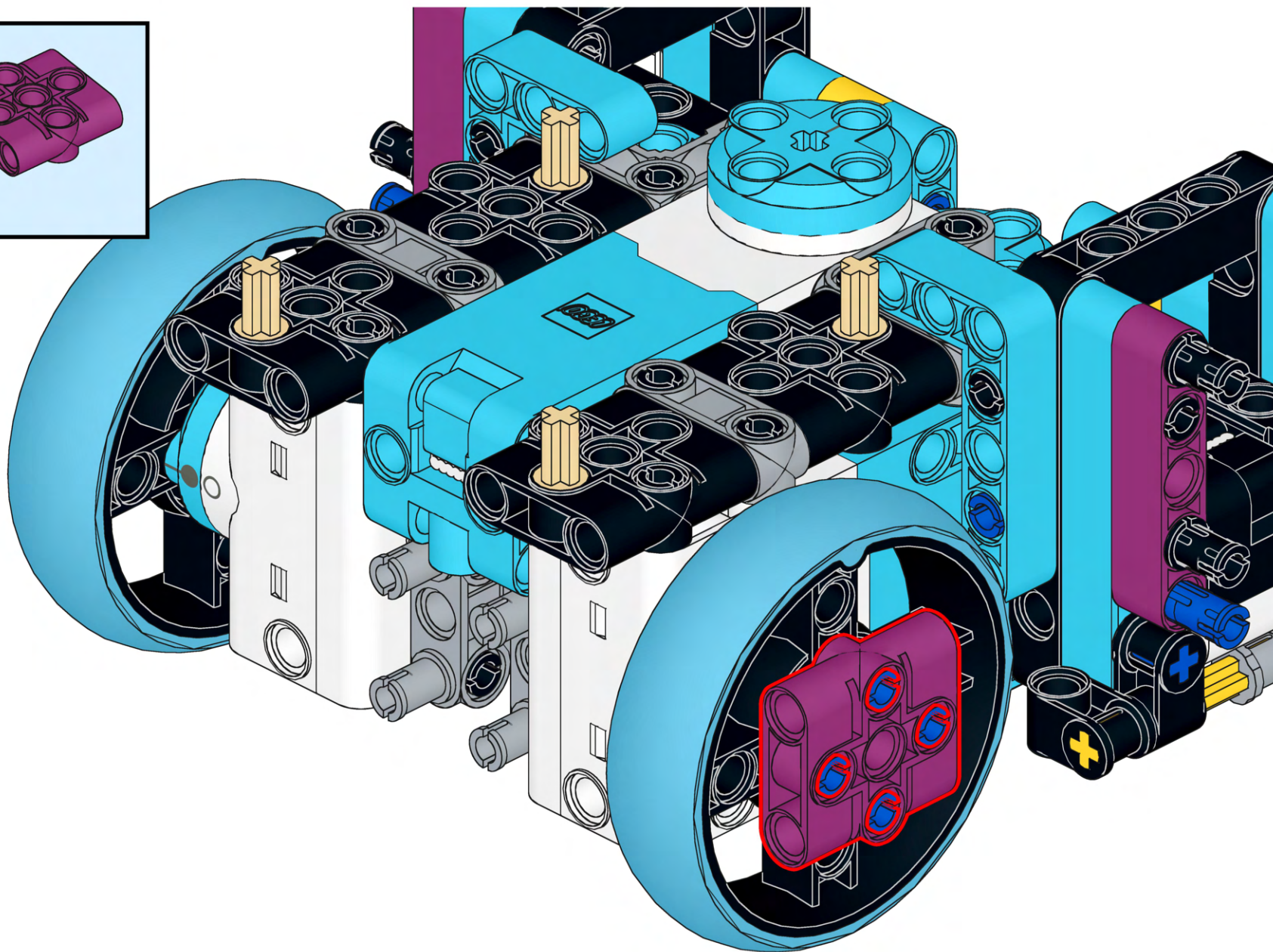
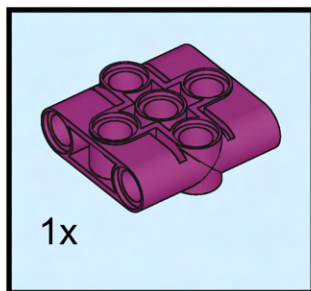
51



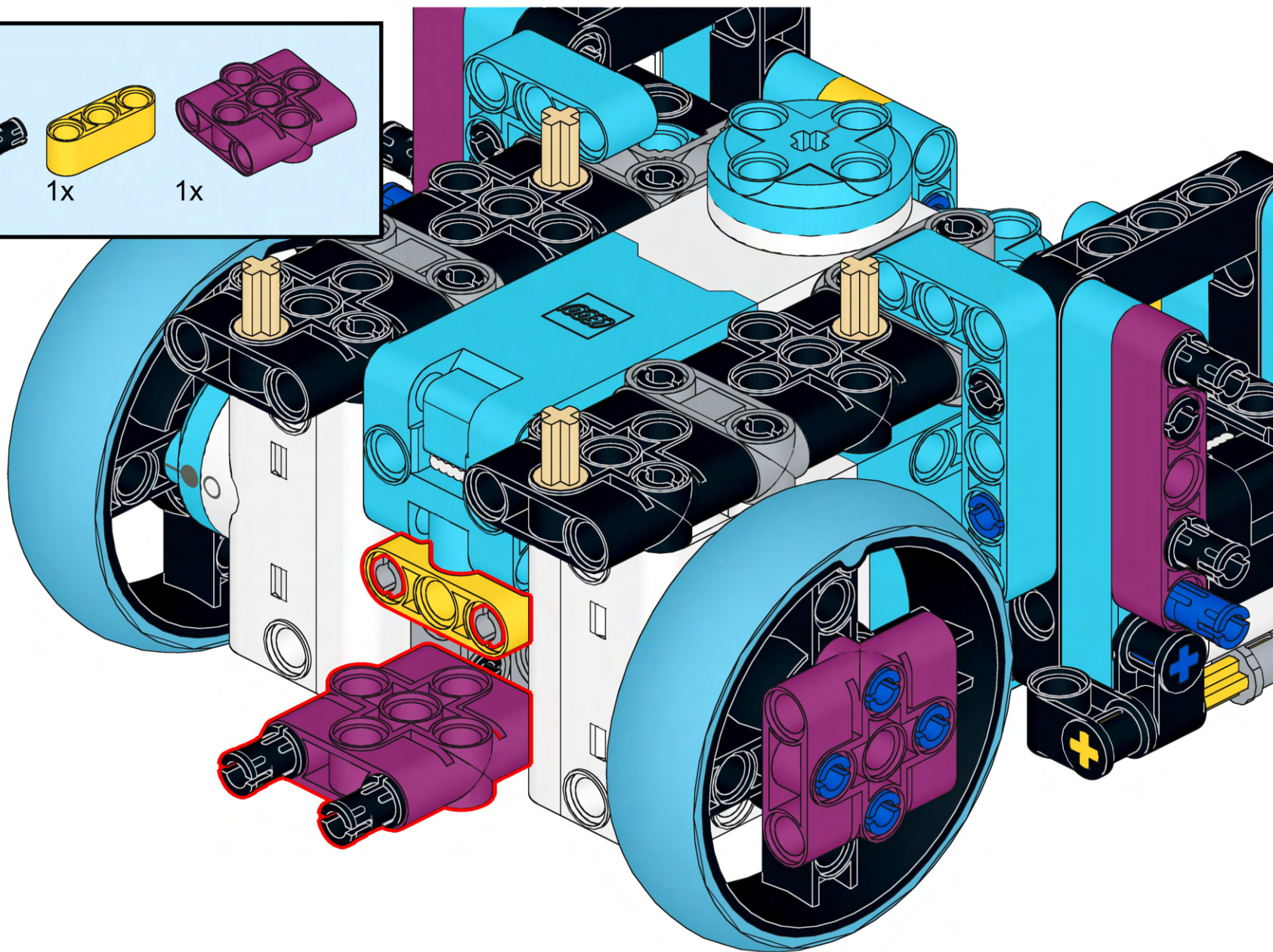
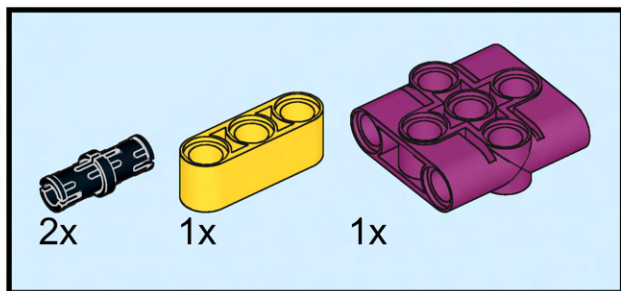
52



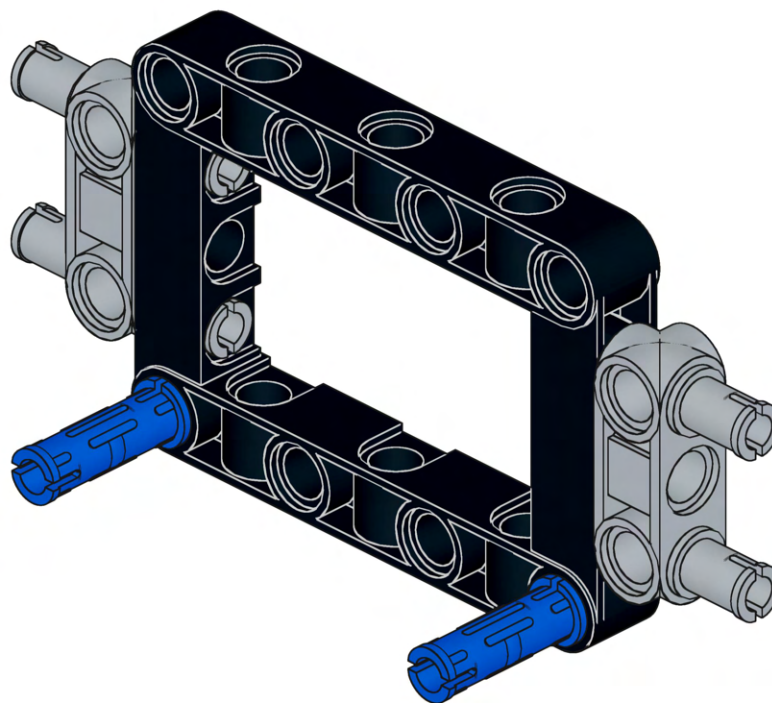
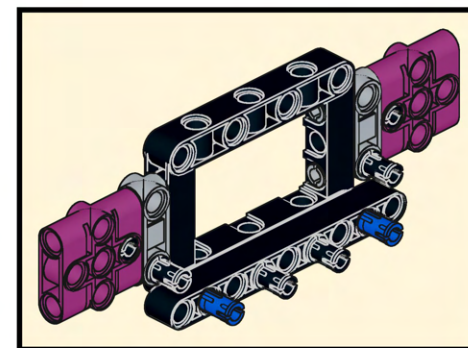
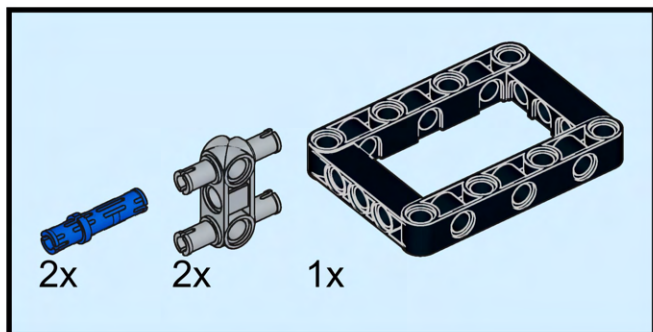
53



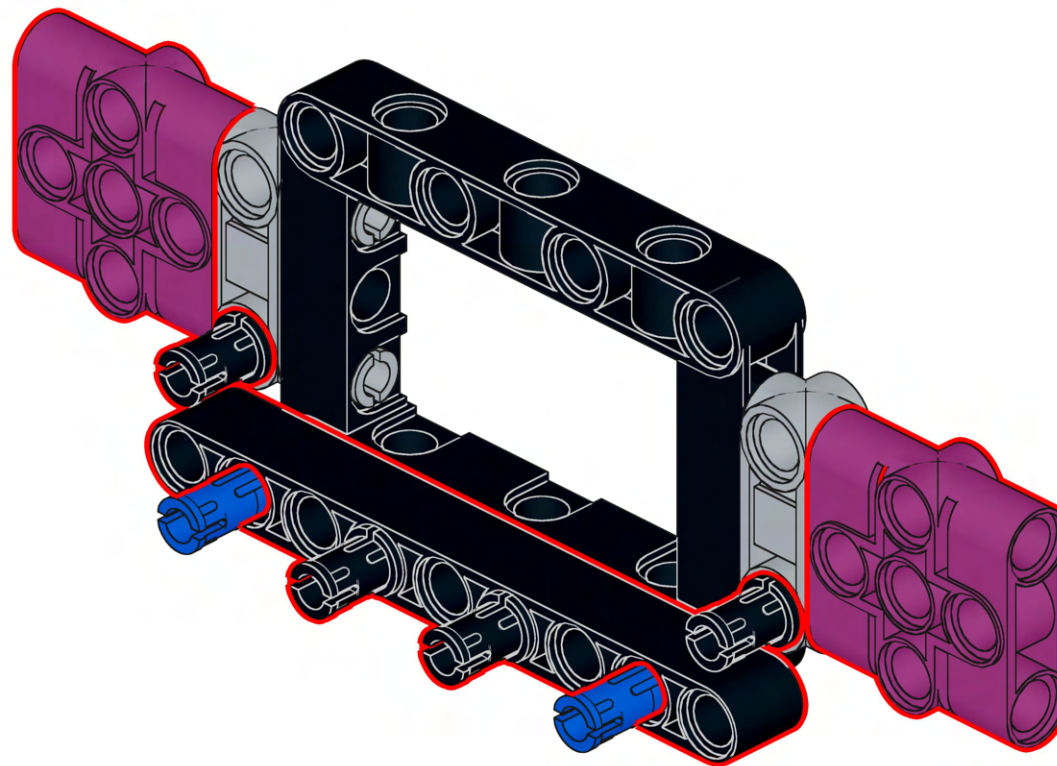
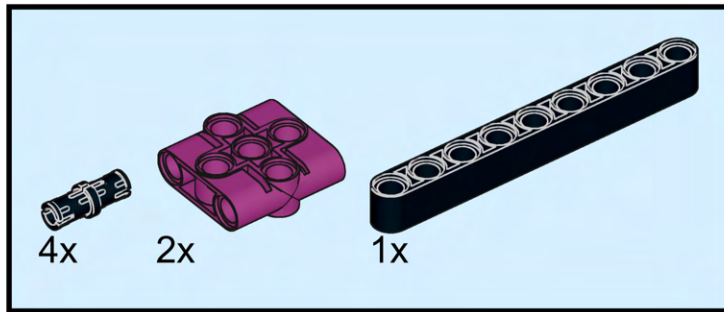
54



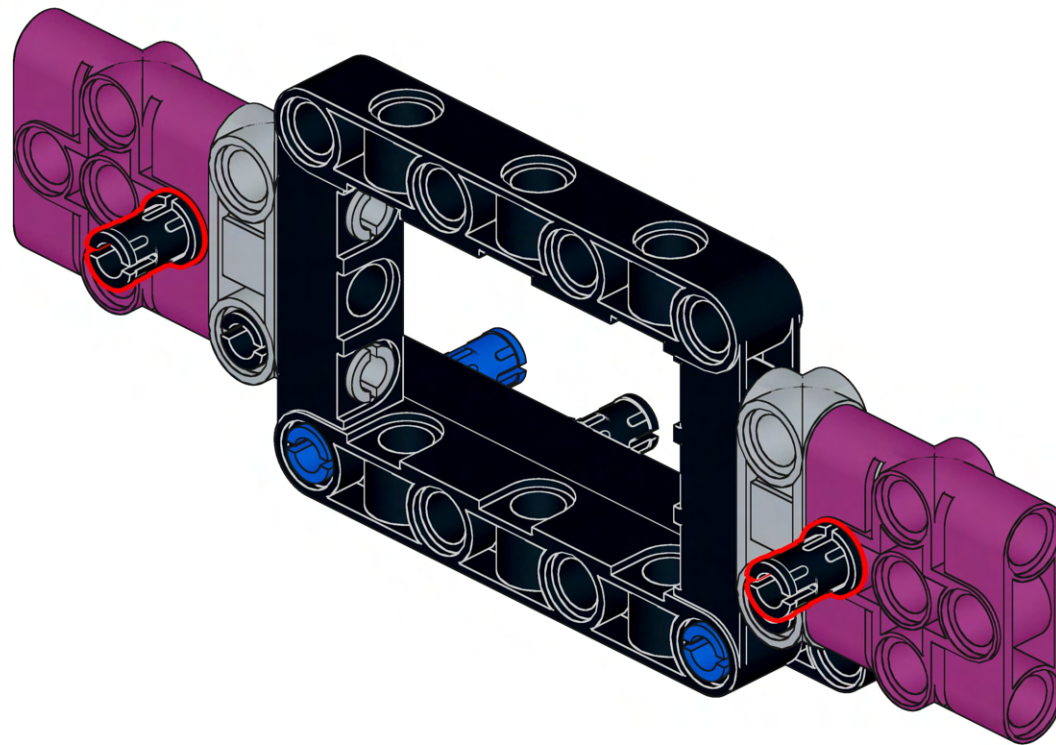
55



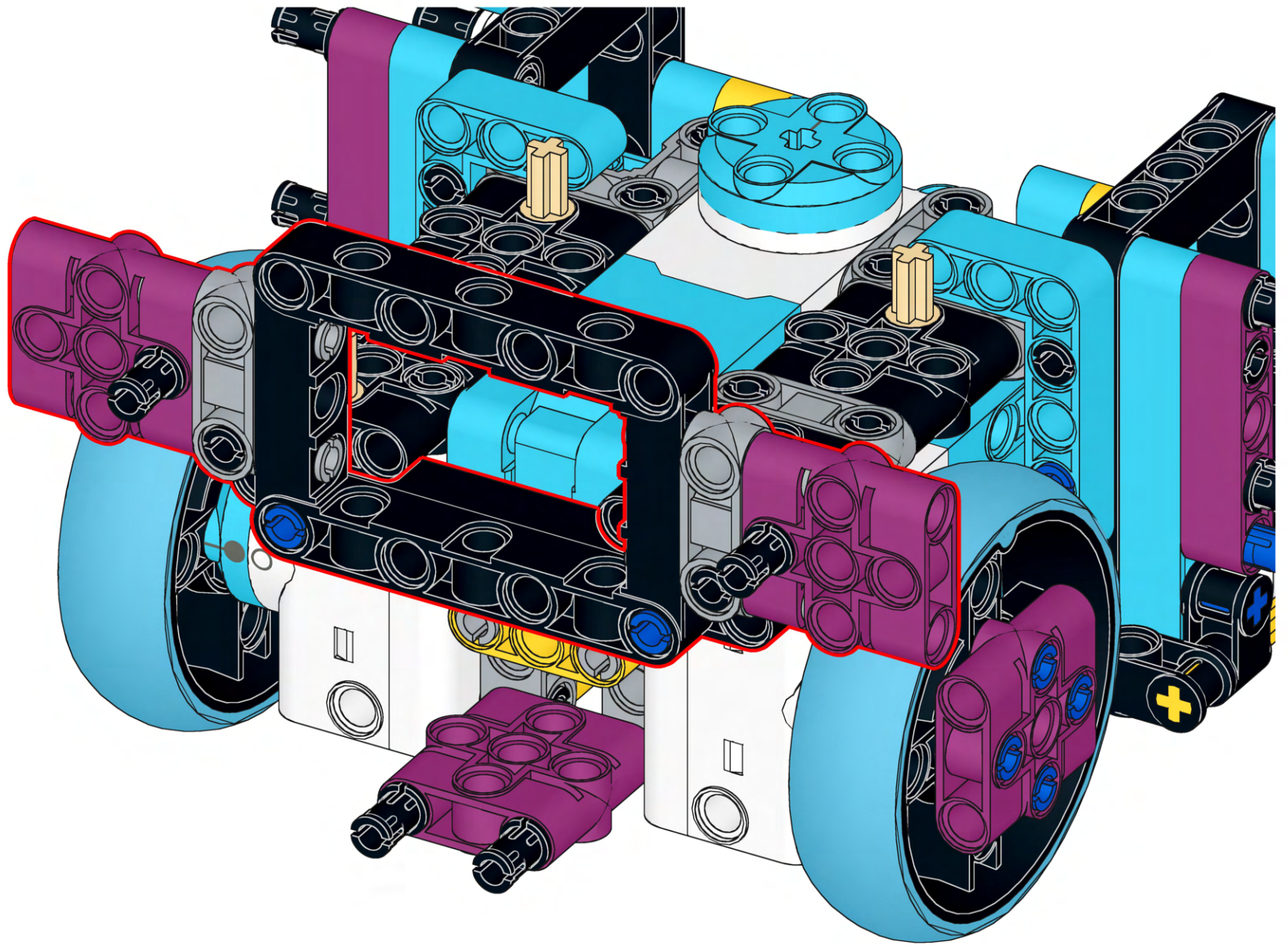
56



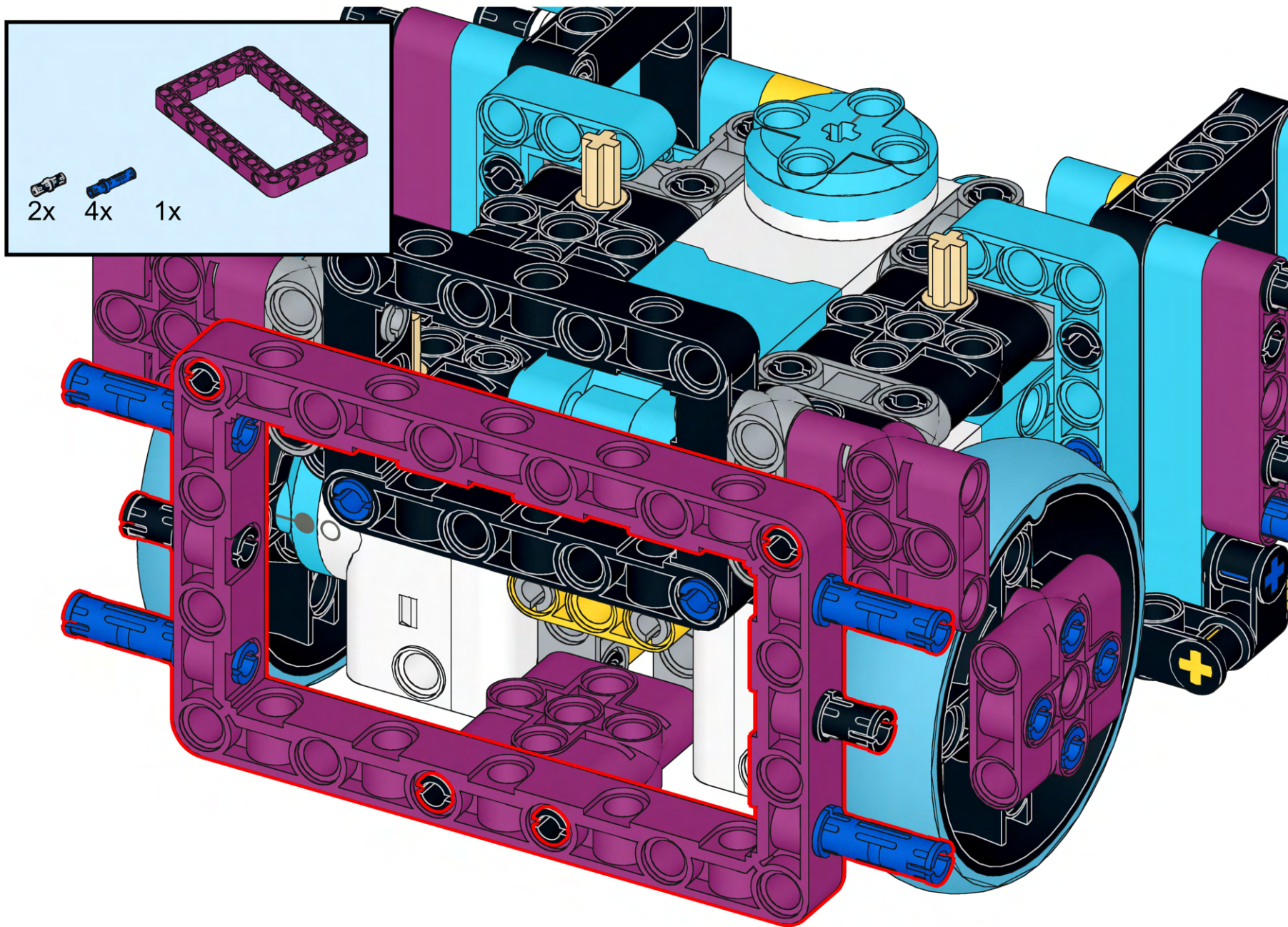
57



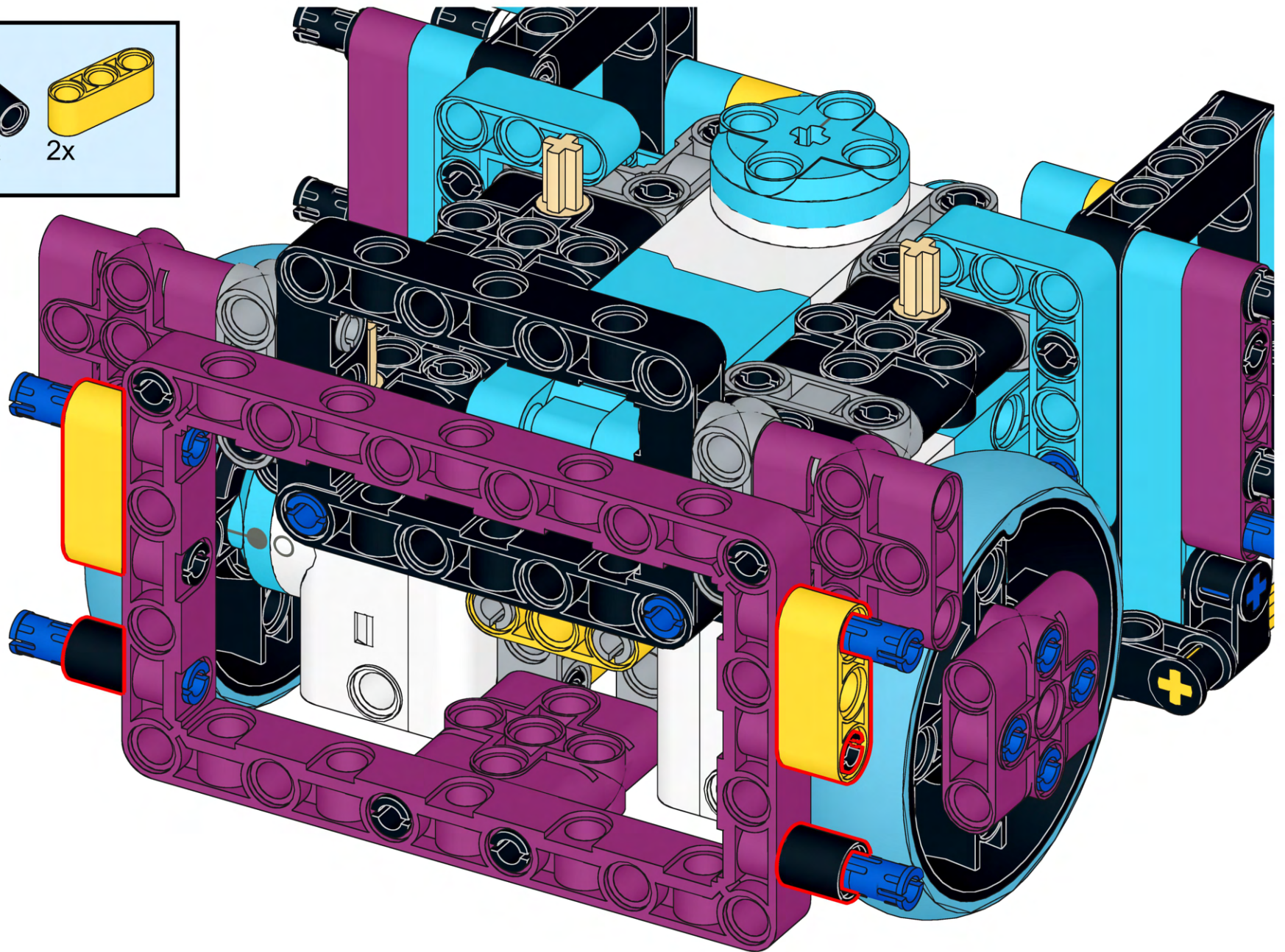
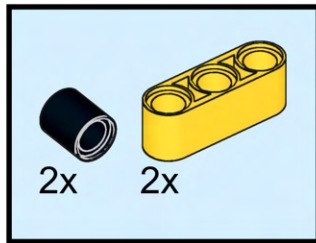
58



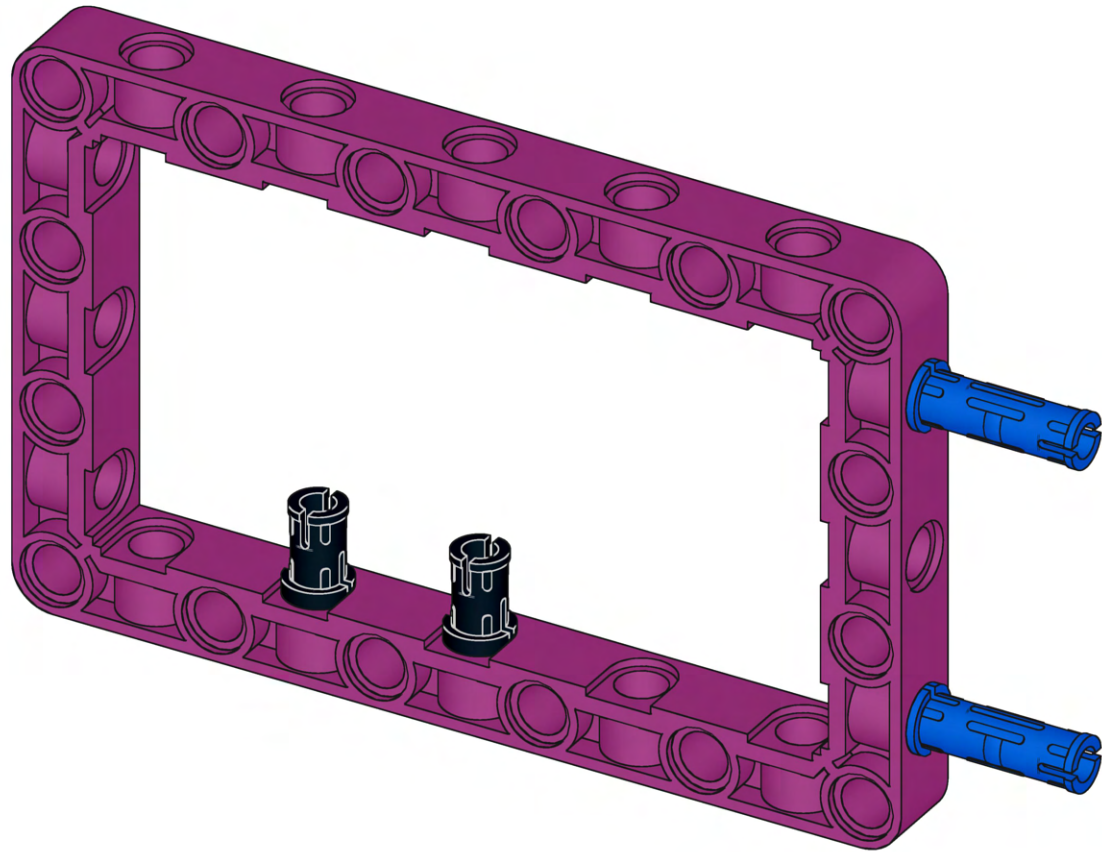
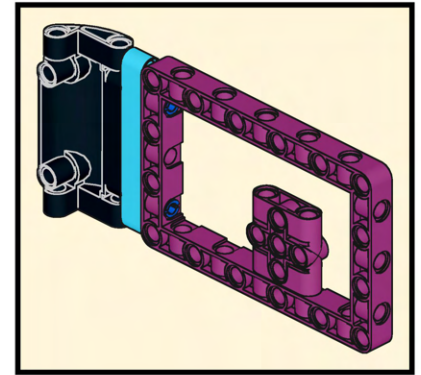
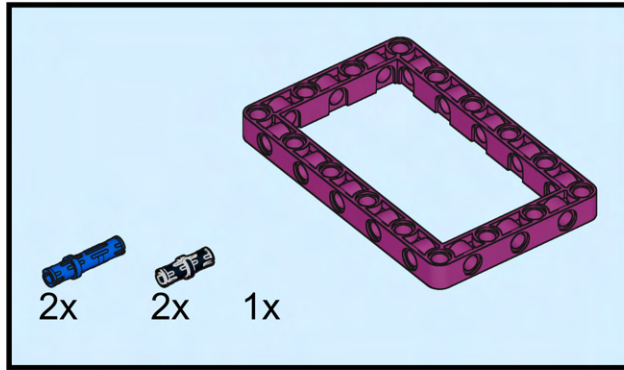
59



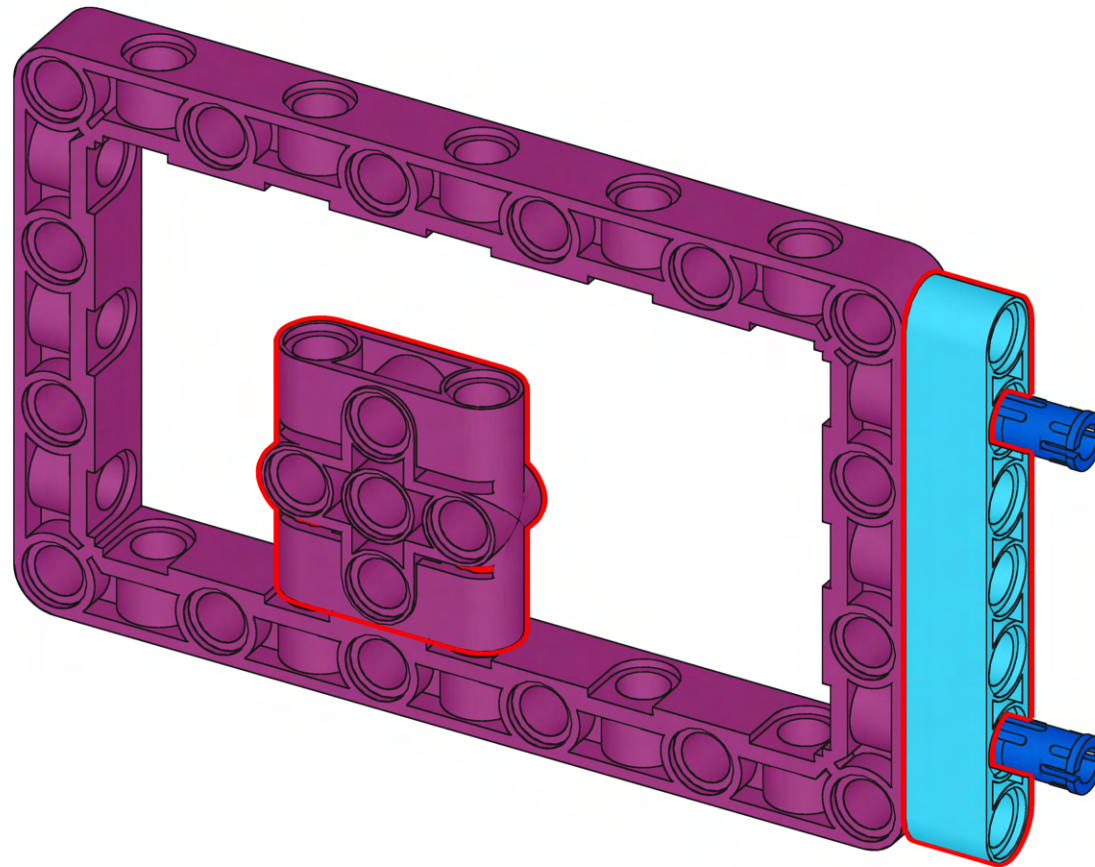
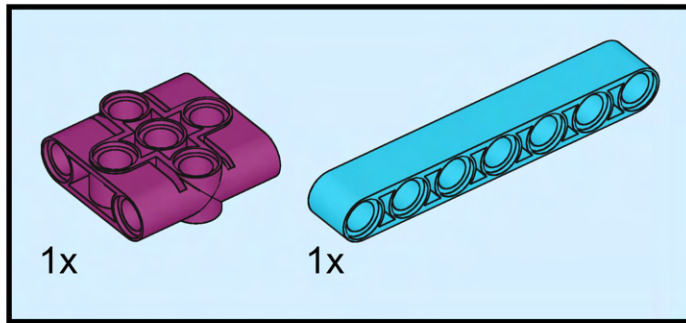
60



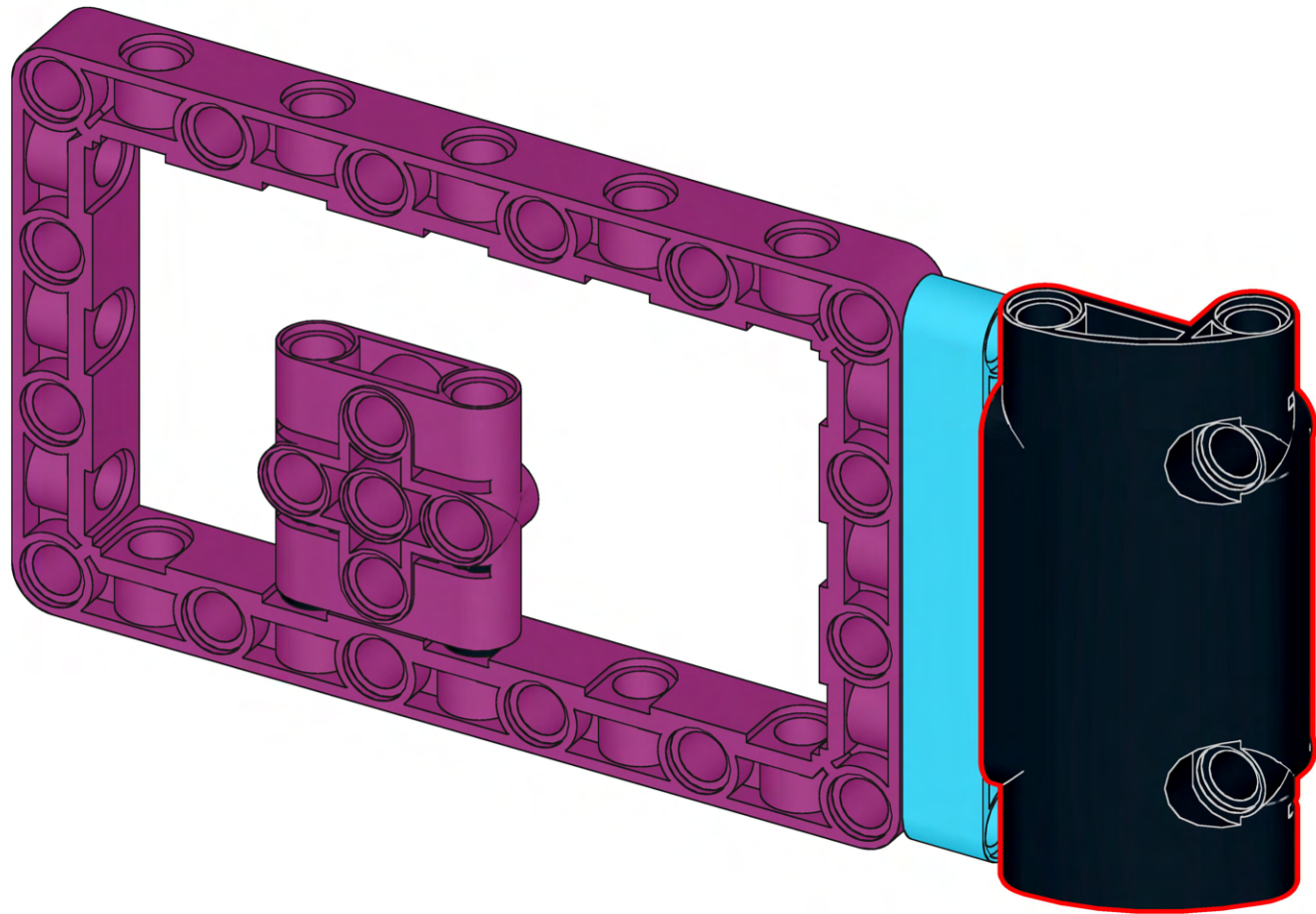
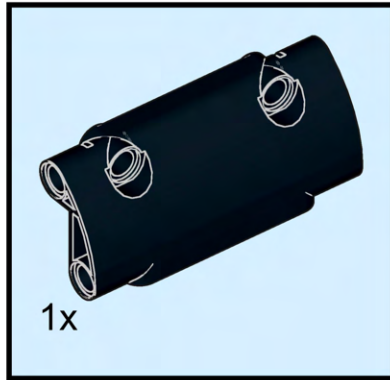
61



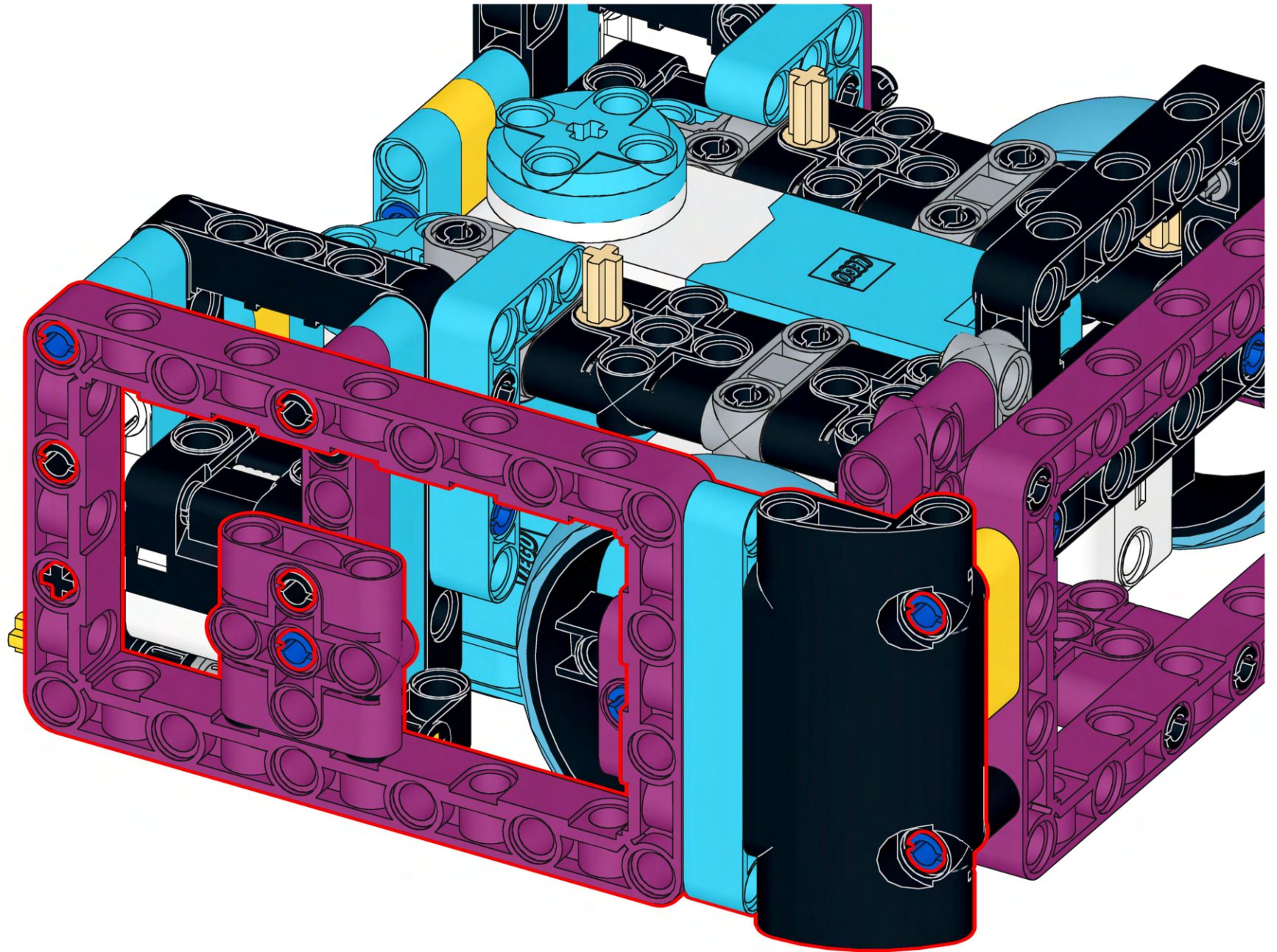
62



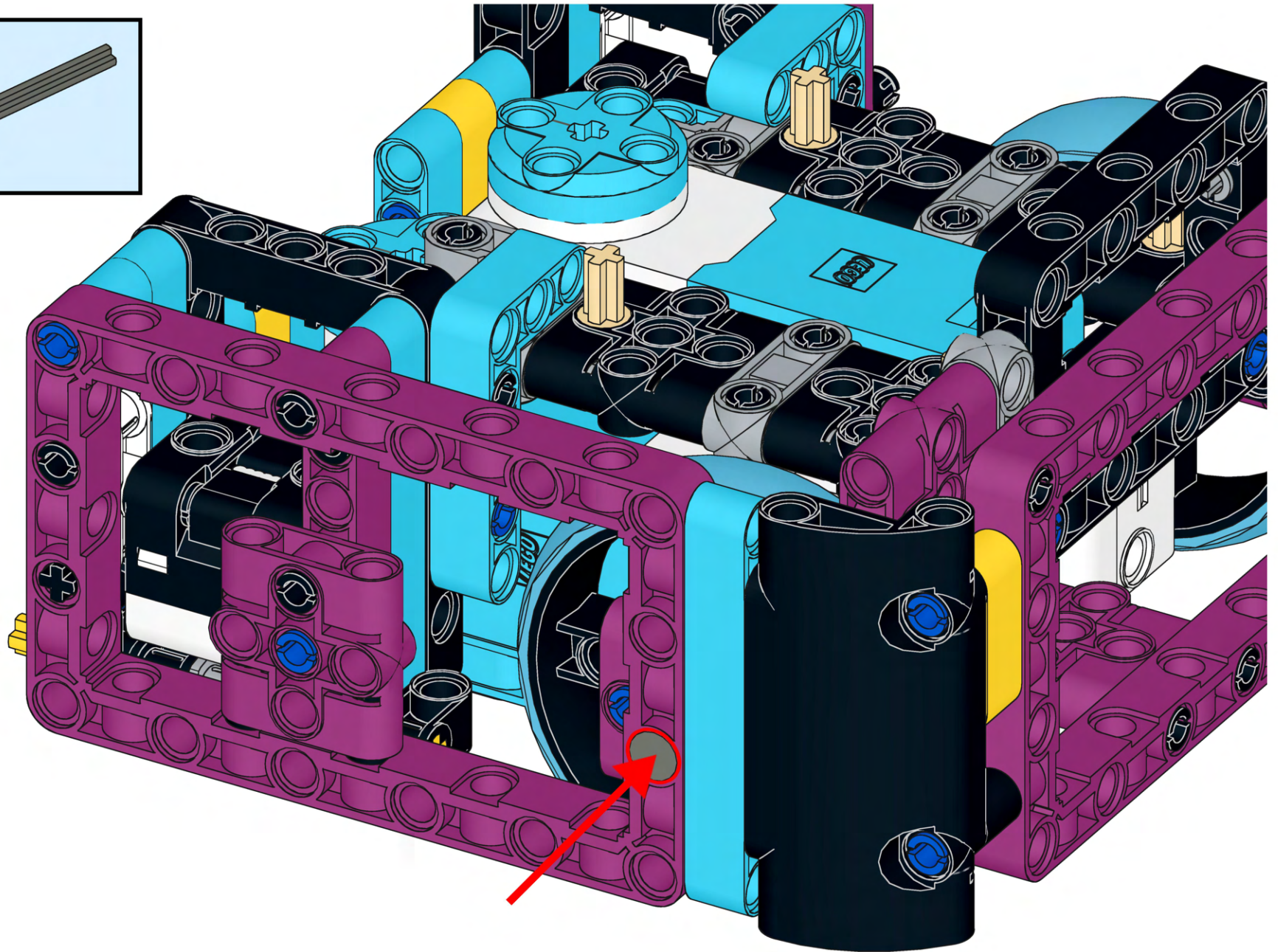
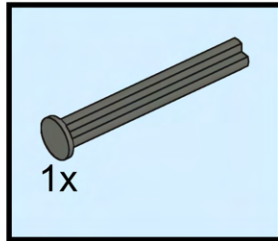
63



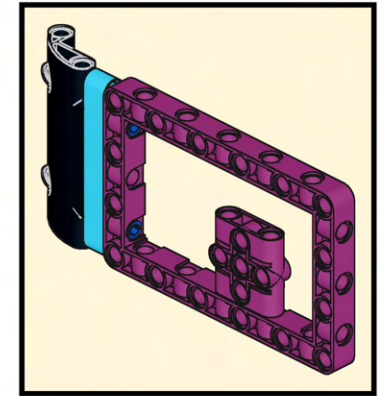
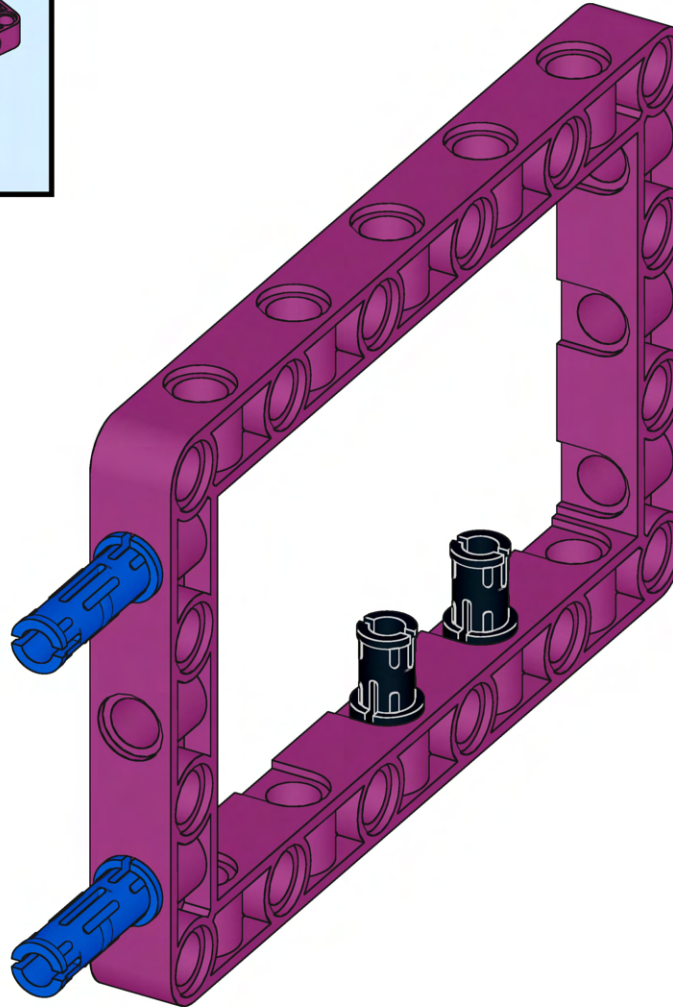
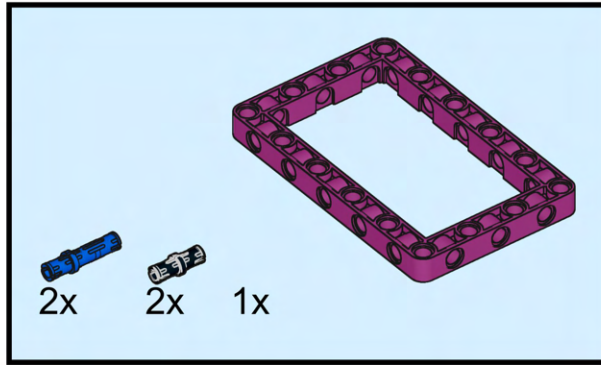
64



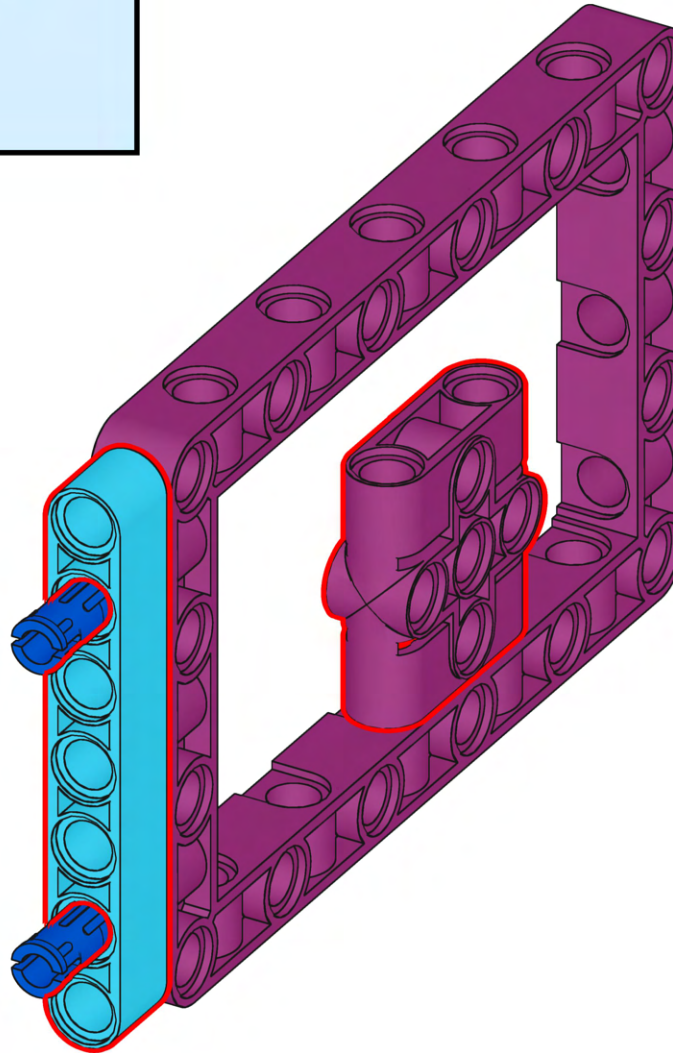
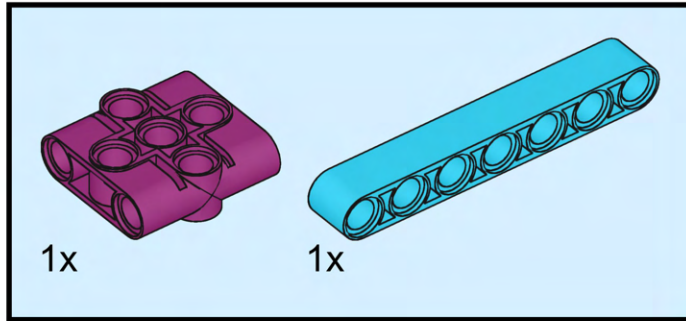
65



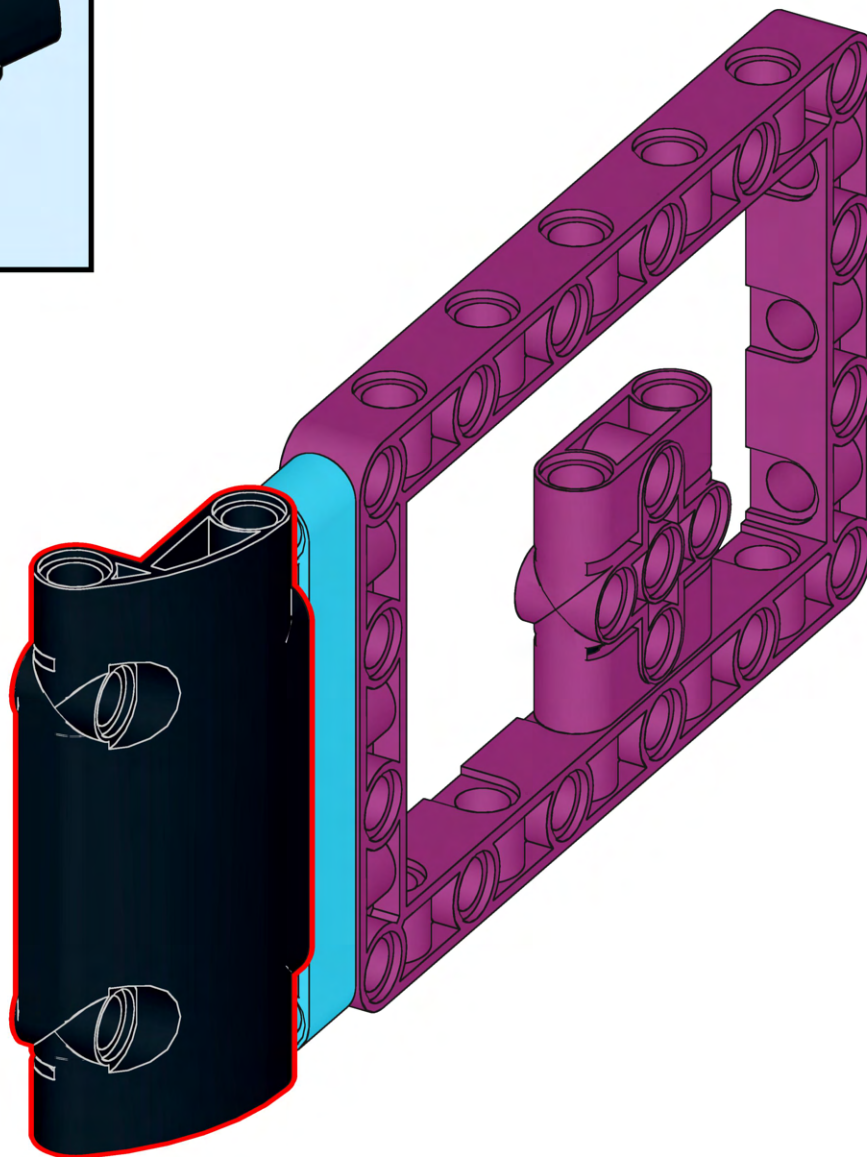
66

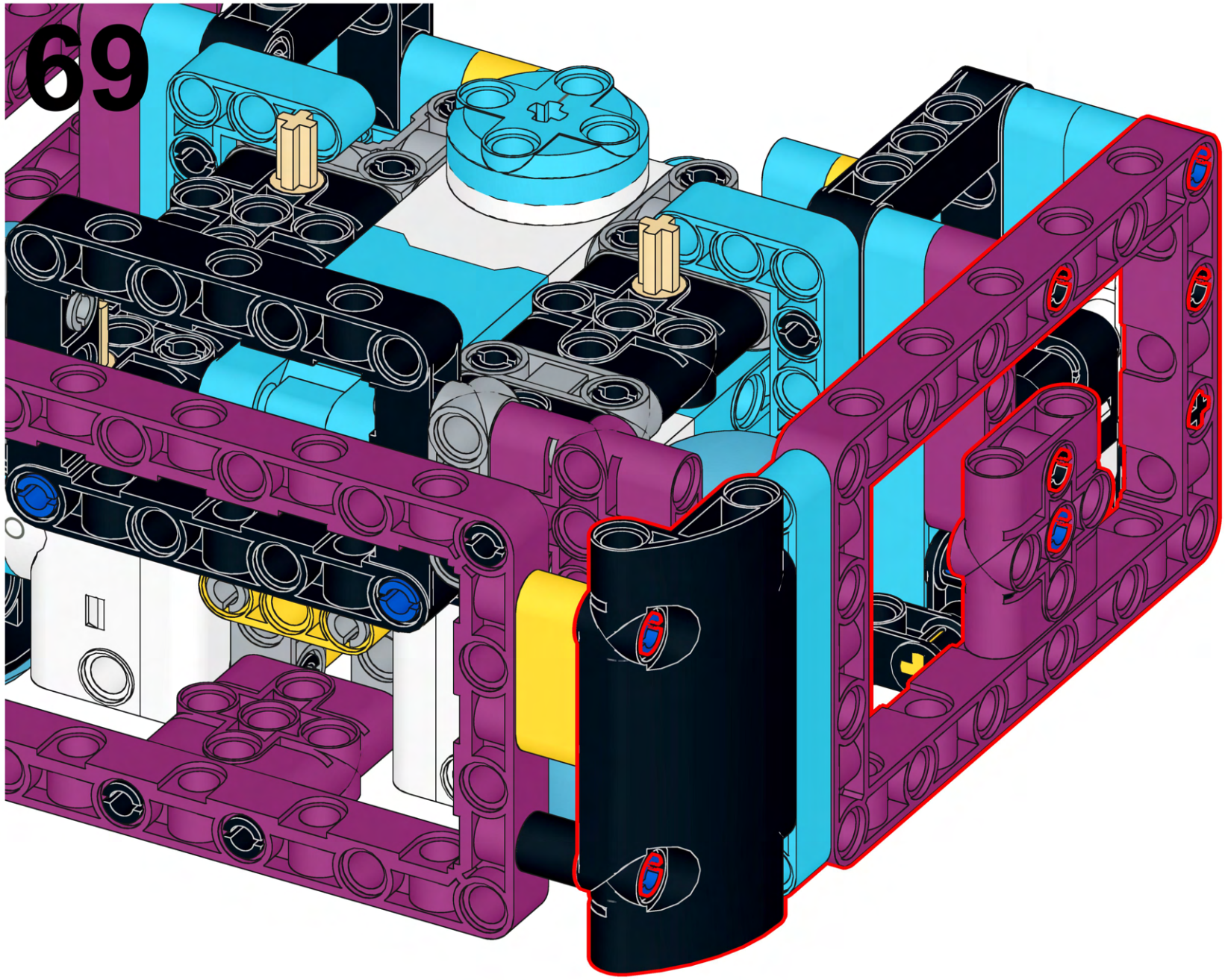


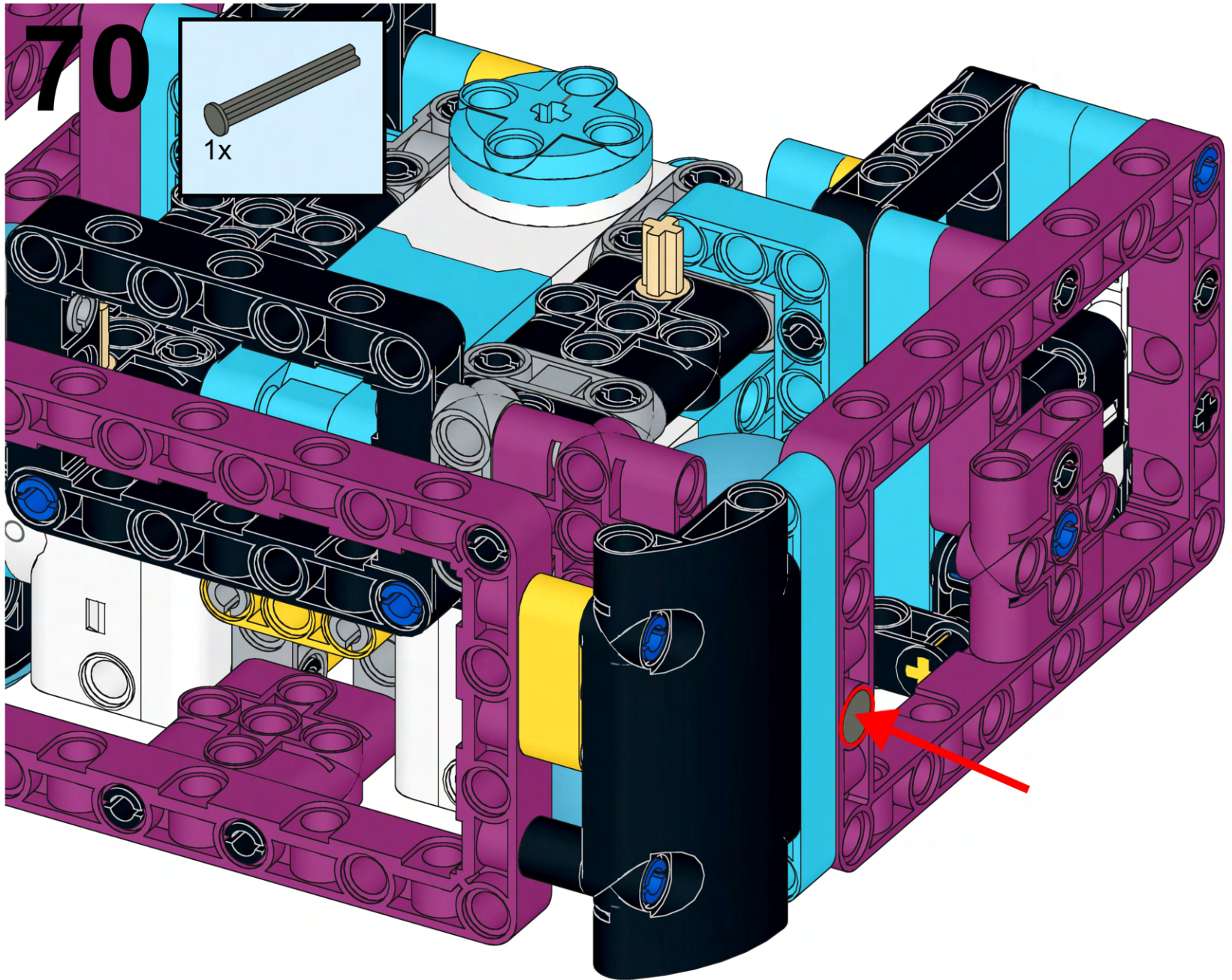
67



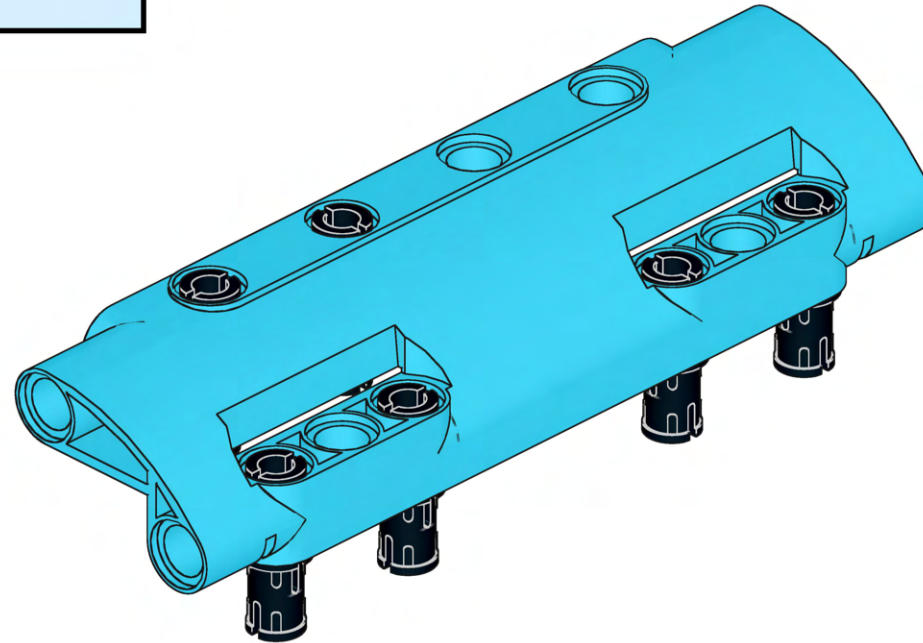
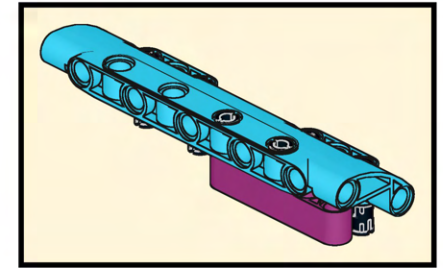
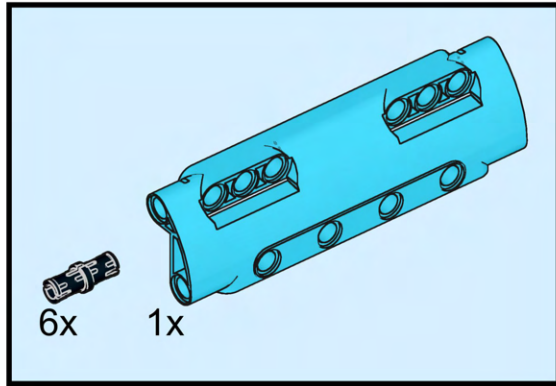
68



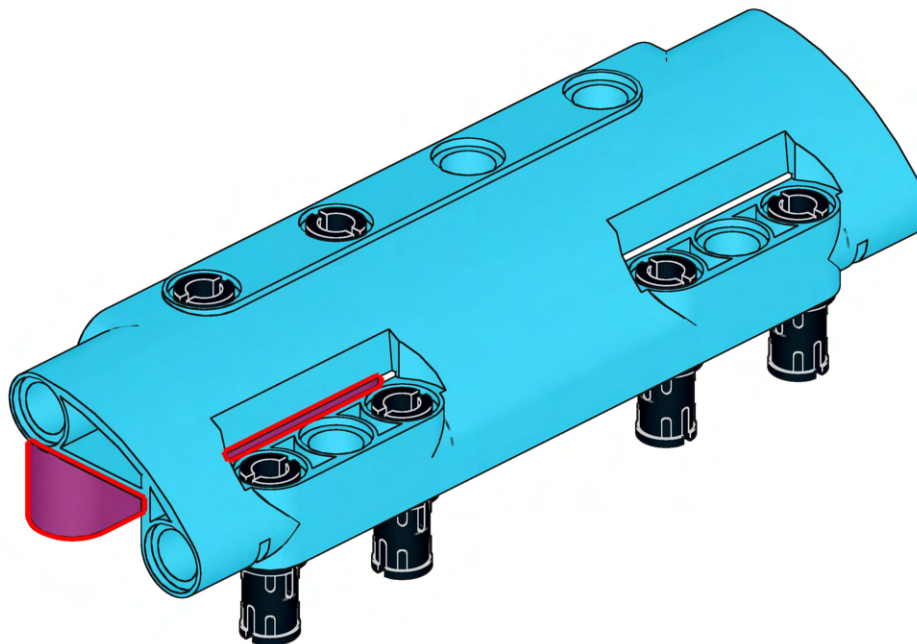
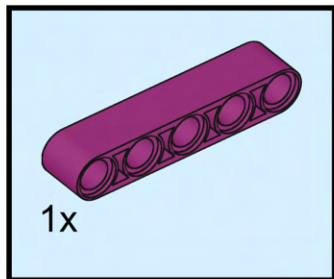




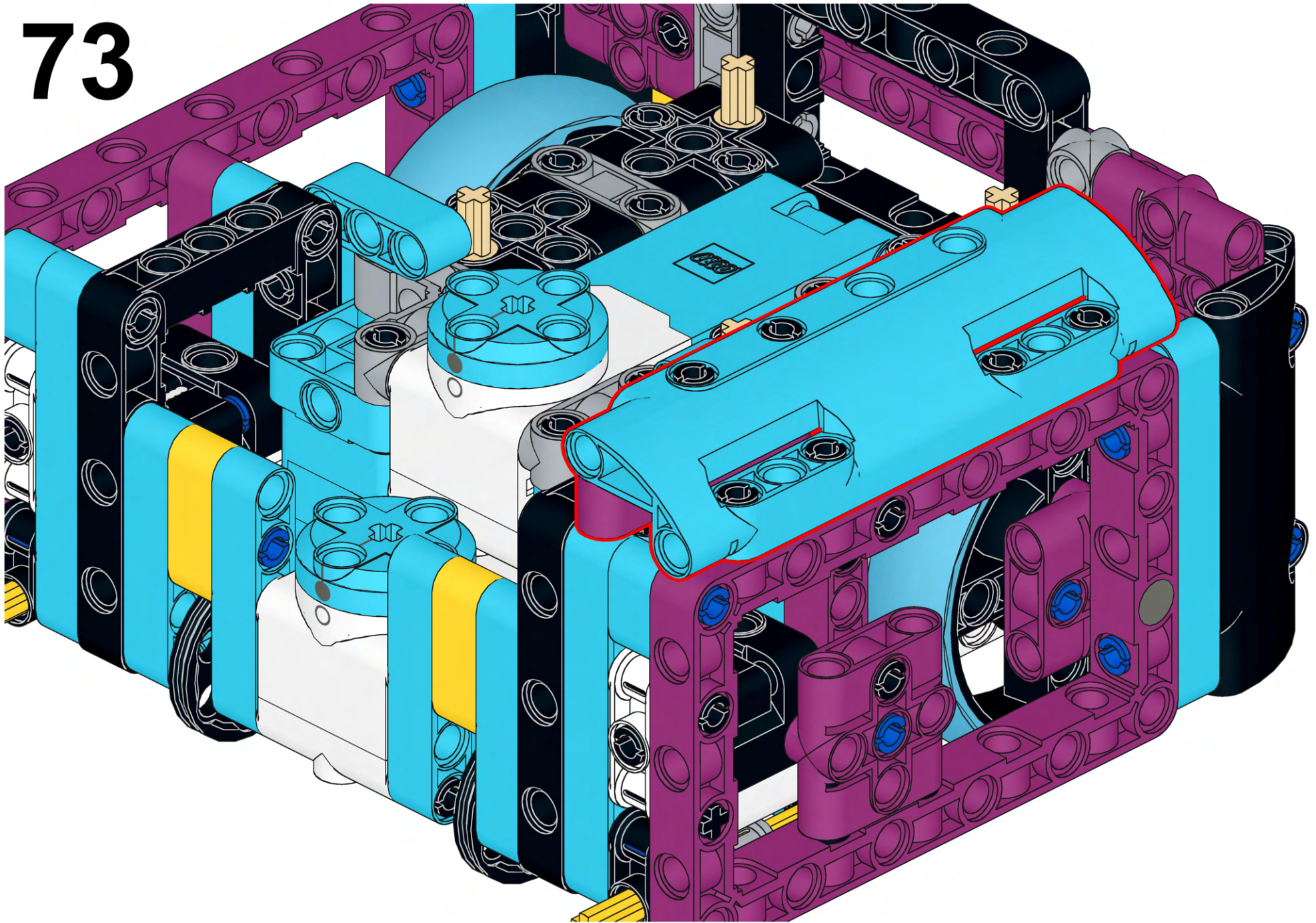
71



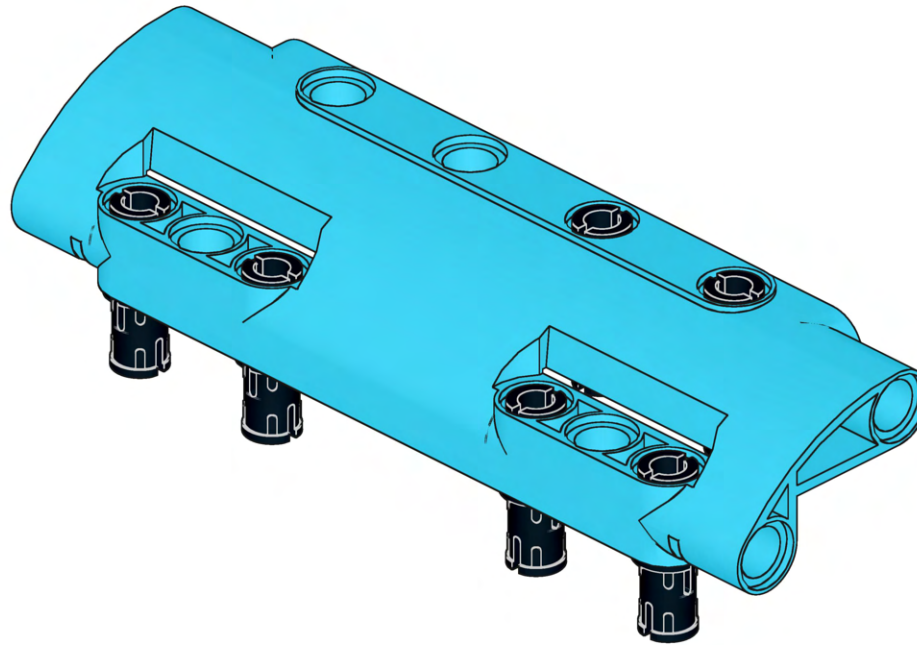
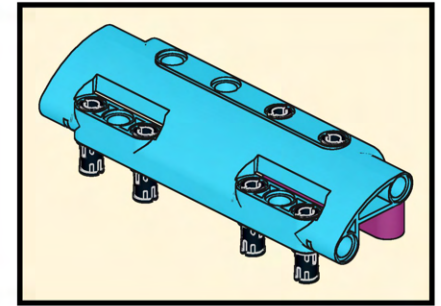
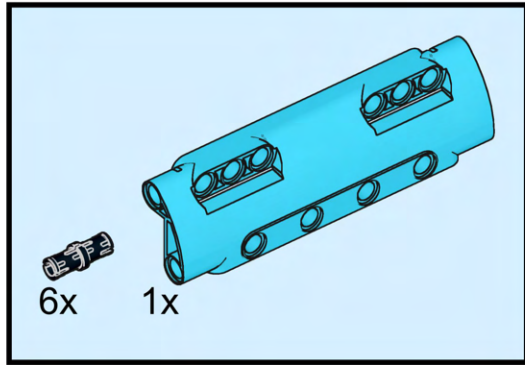
72



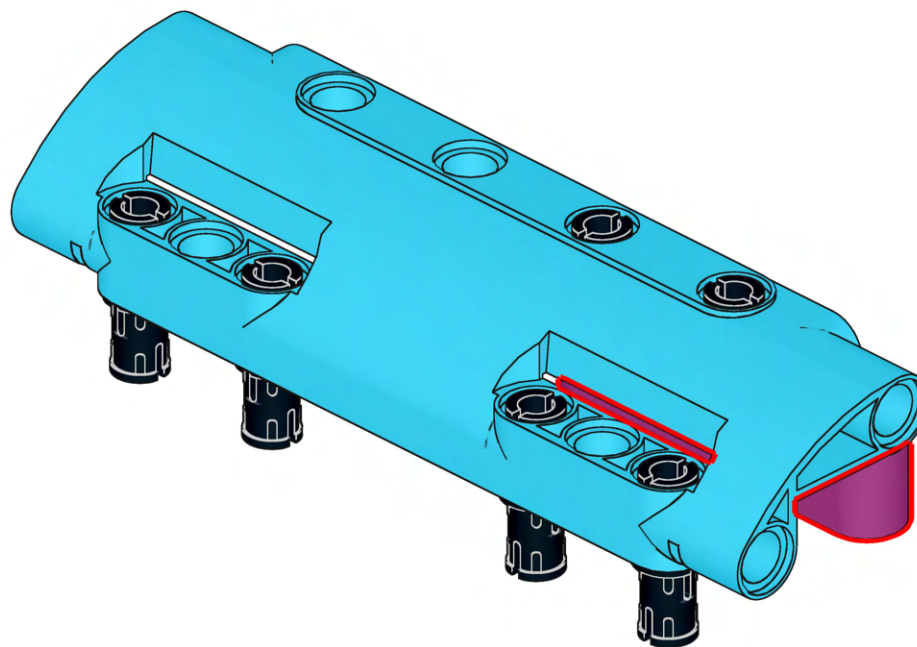
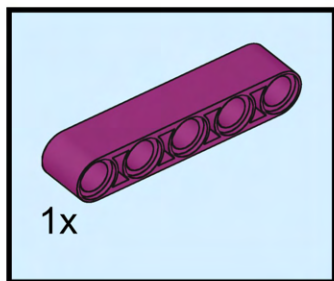
73



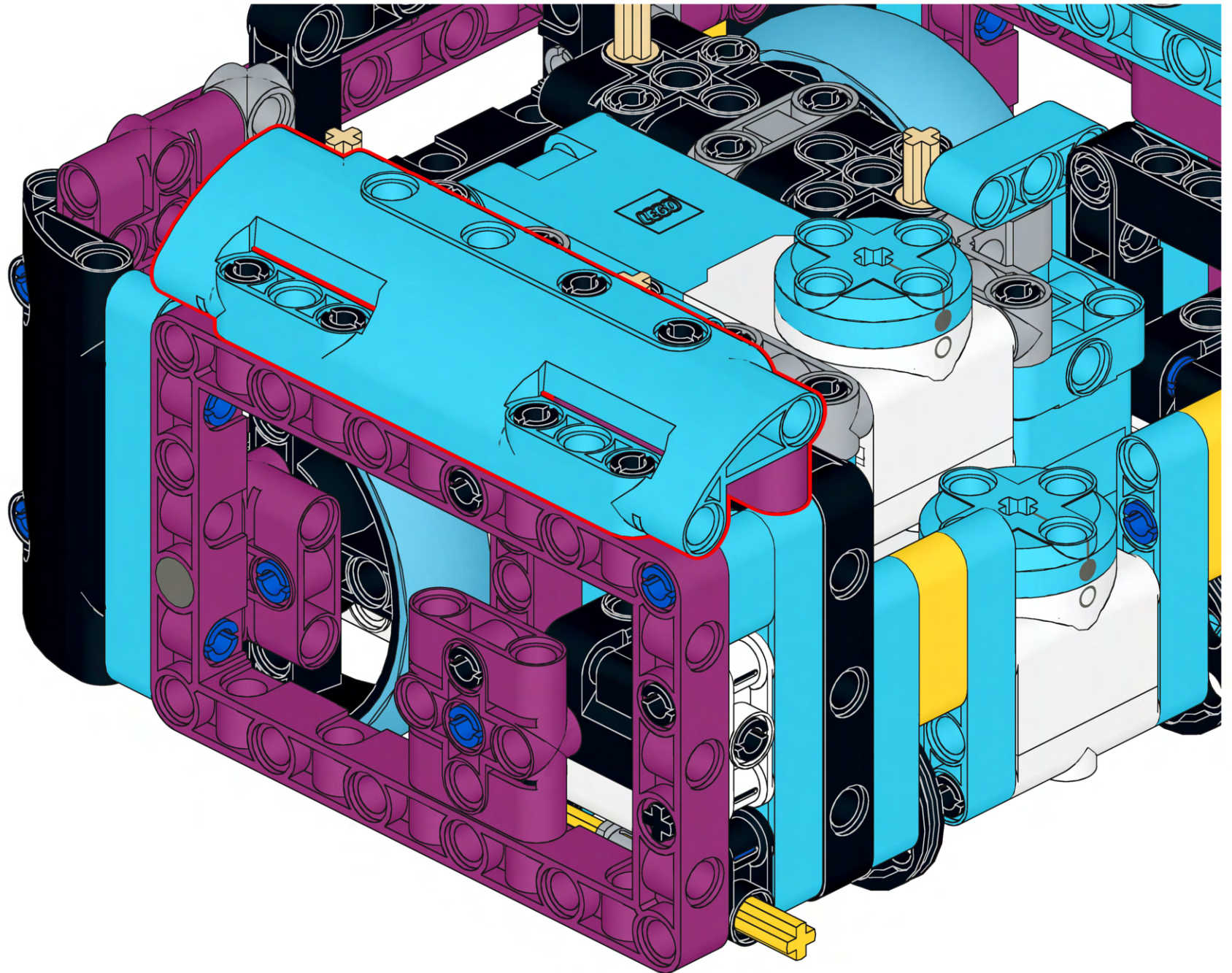
74



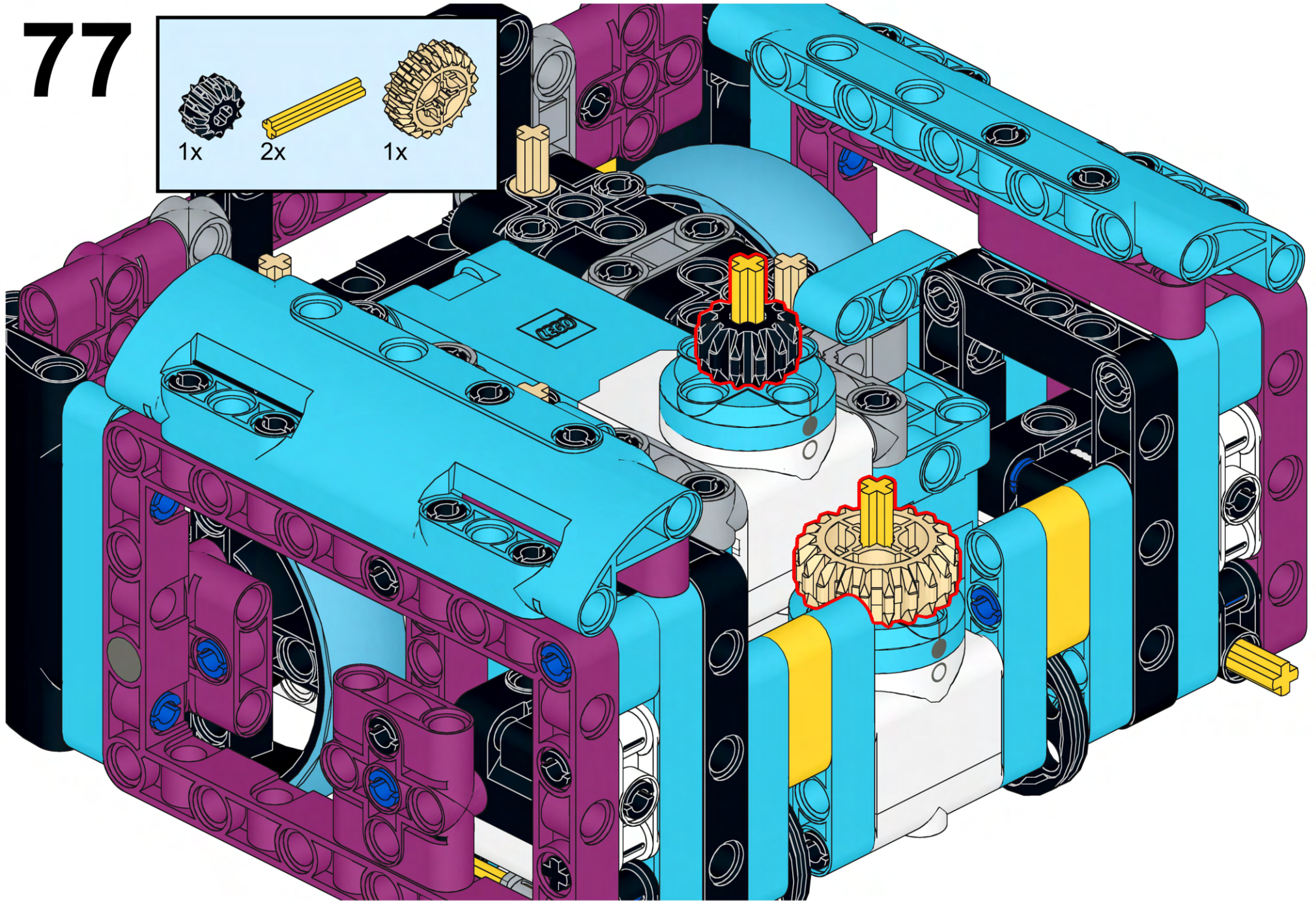
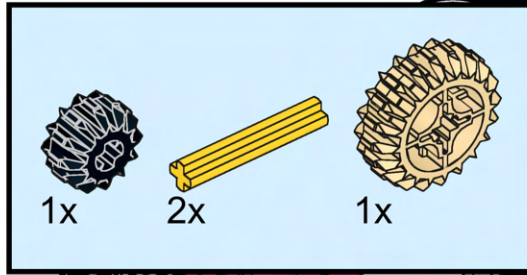
75



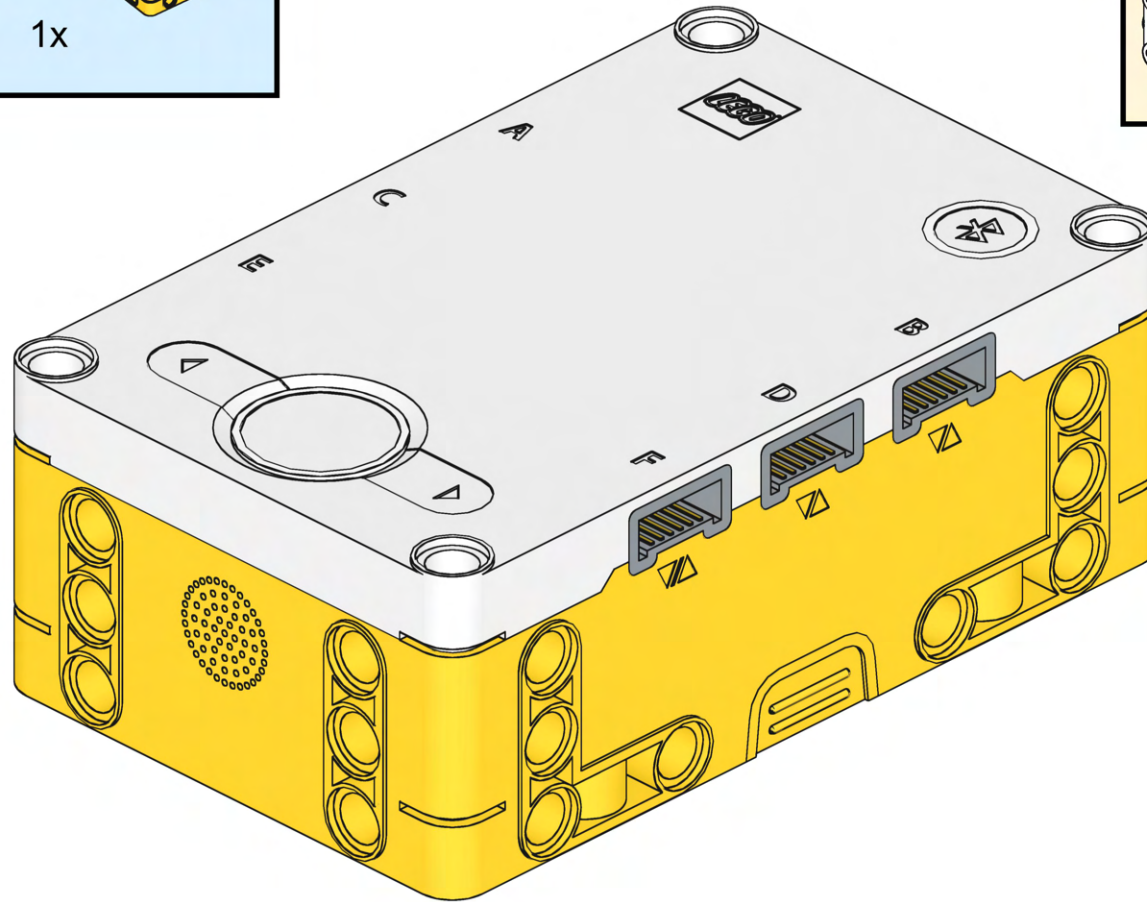
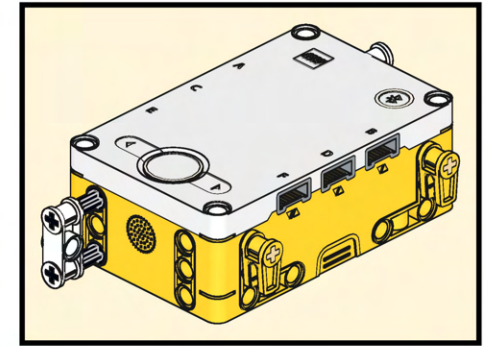
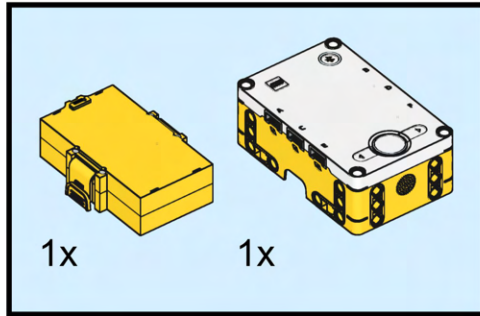
76



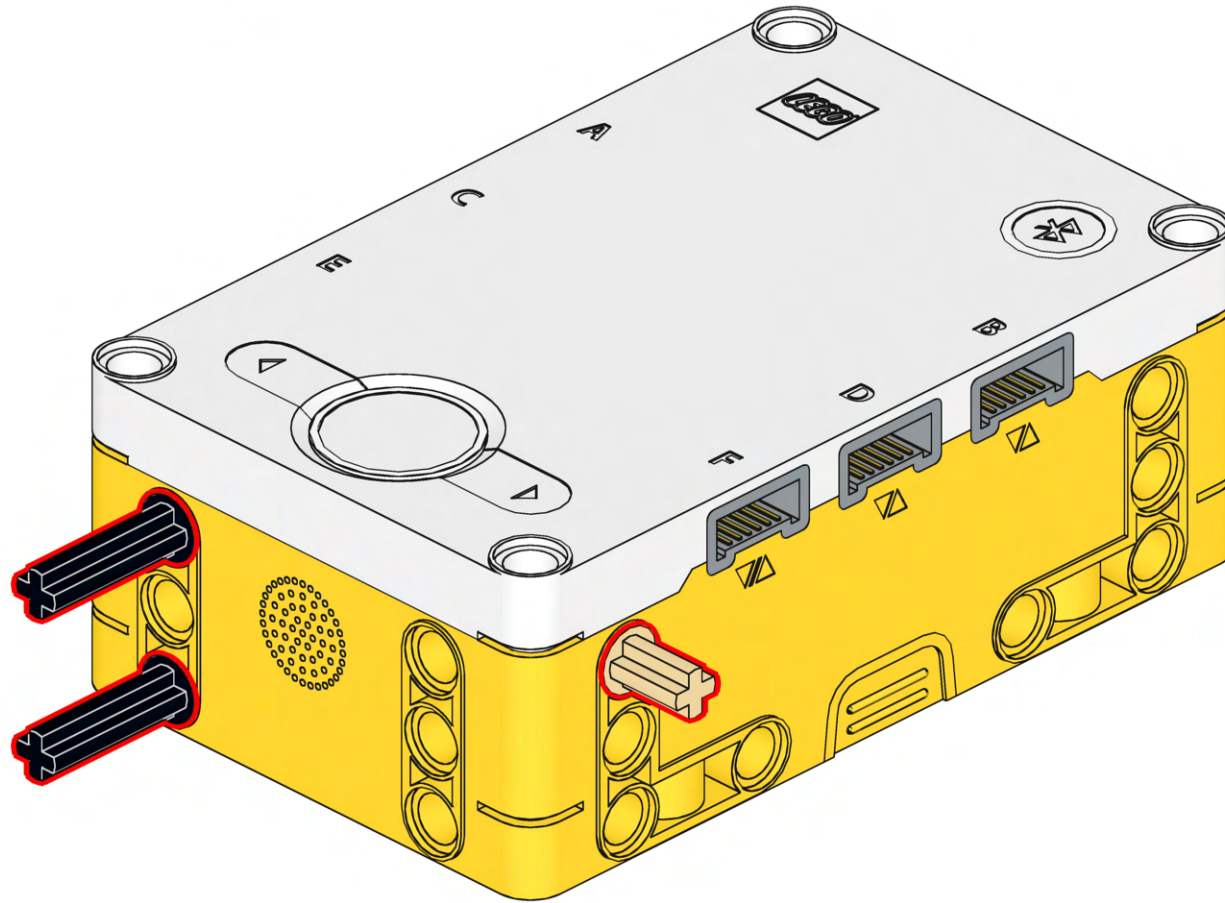
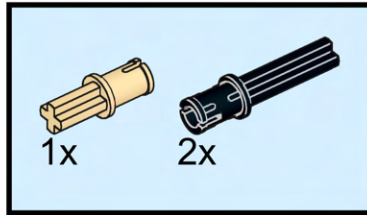
77



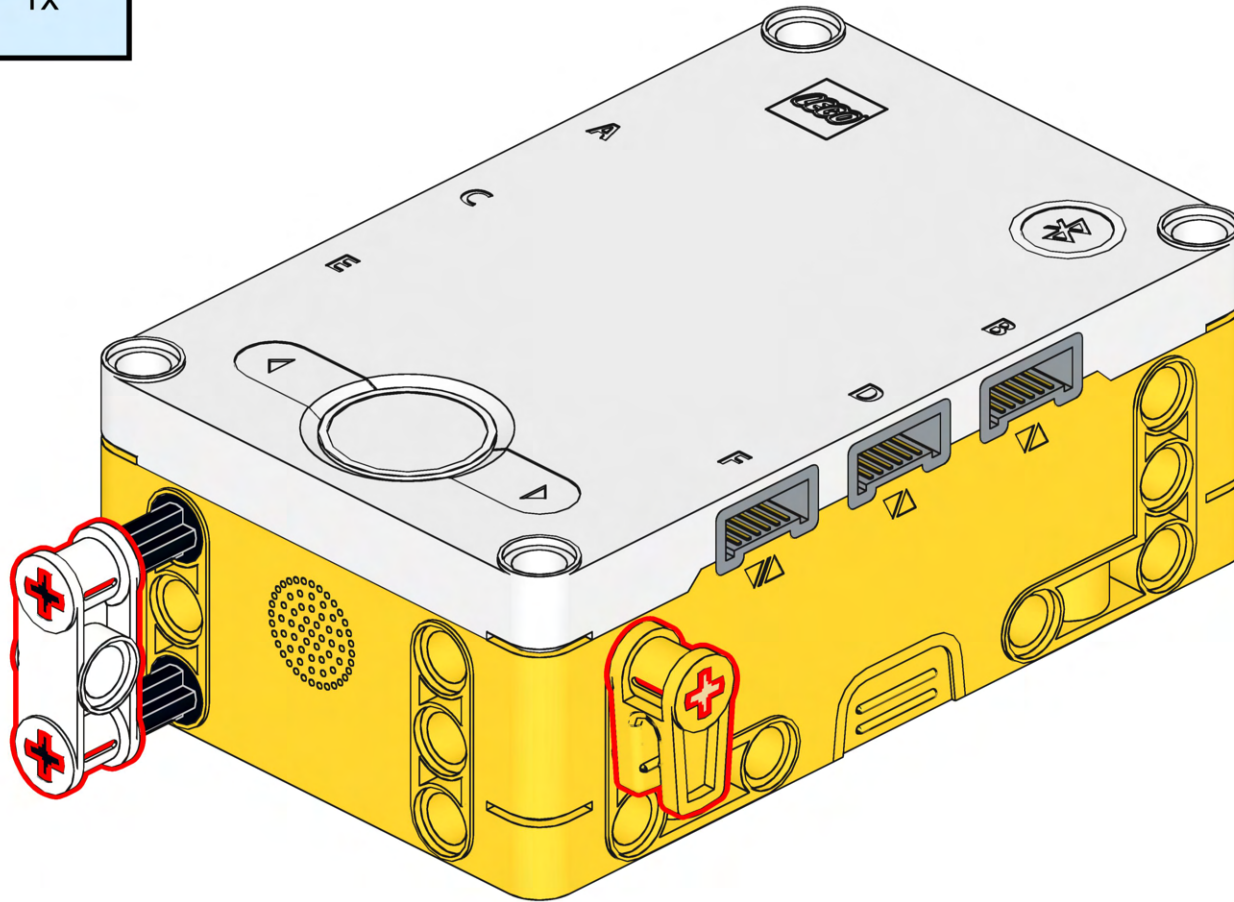
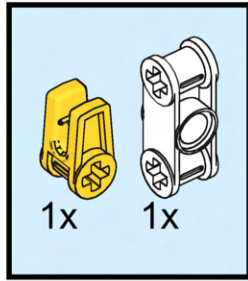
78



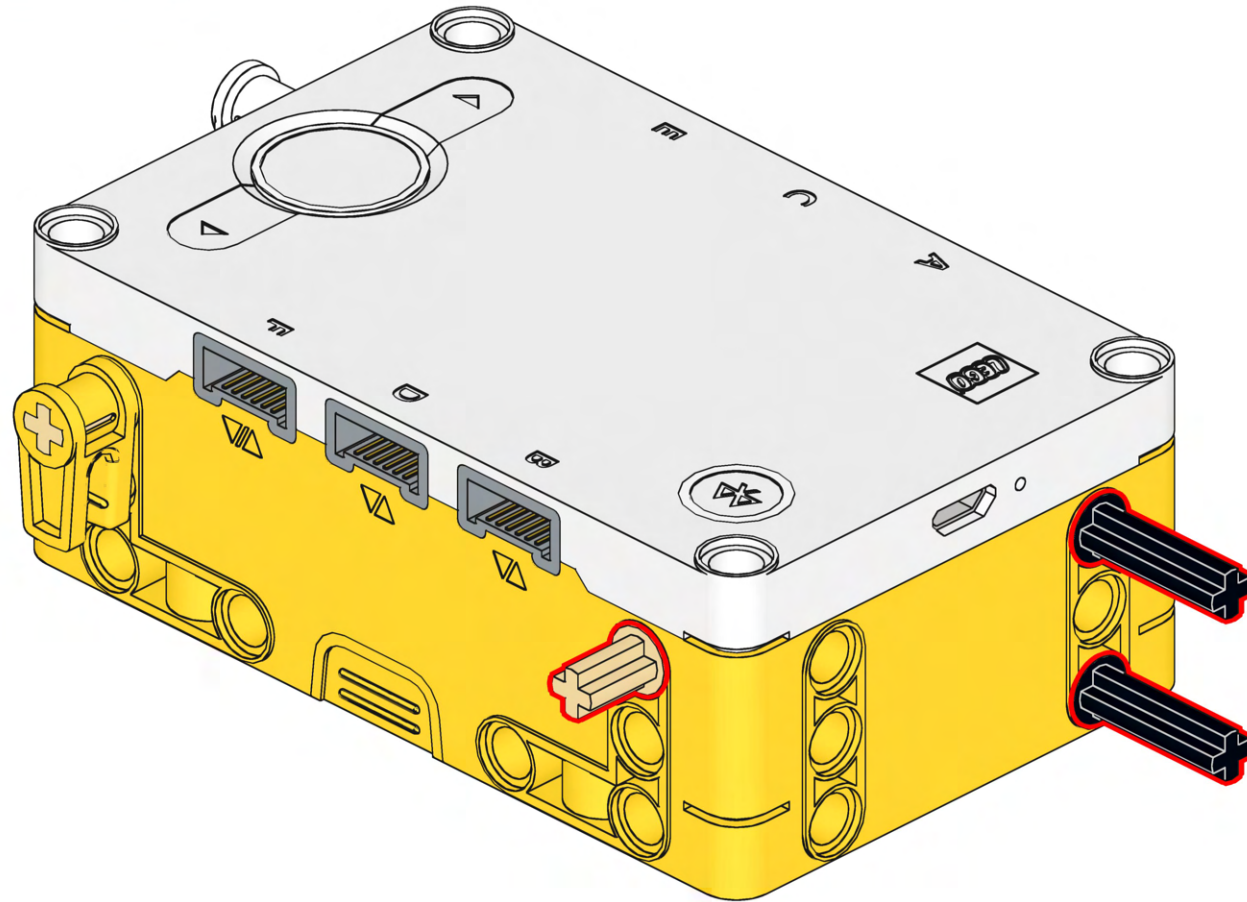
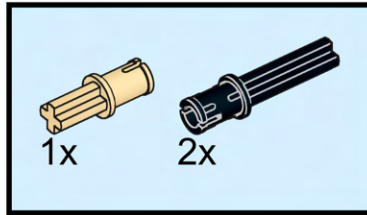
79



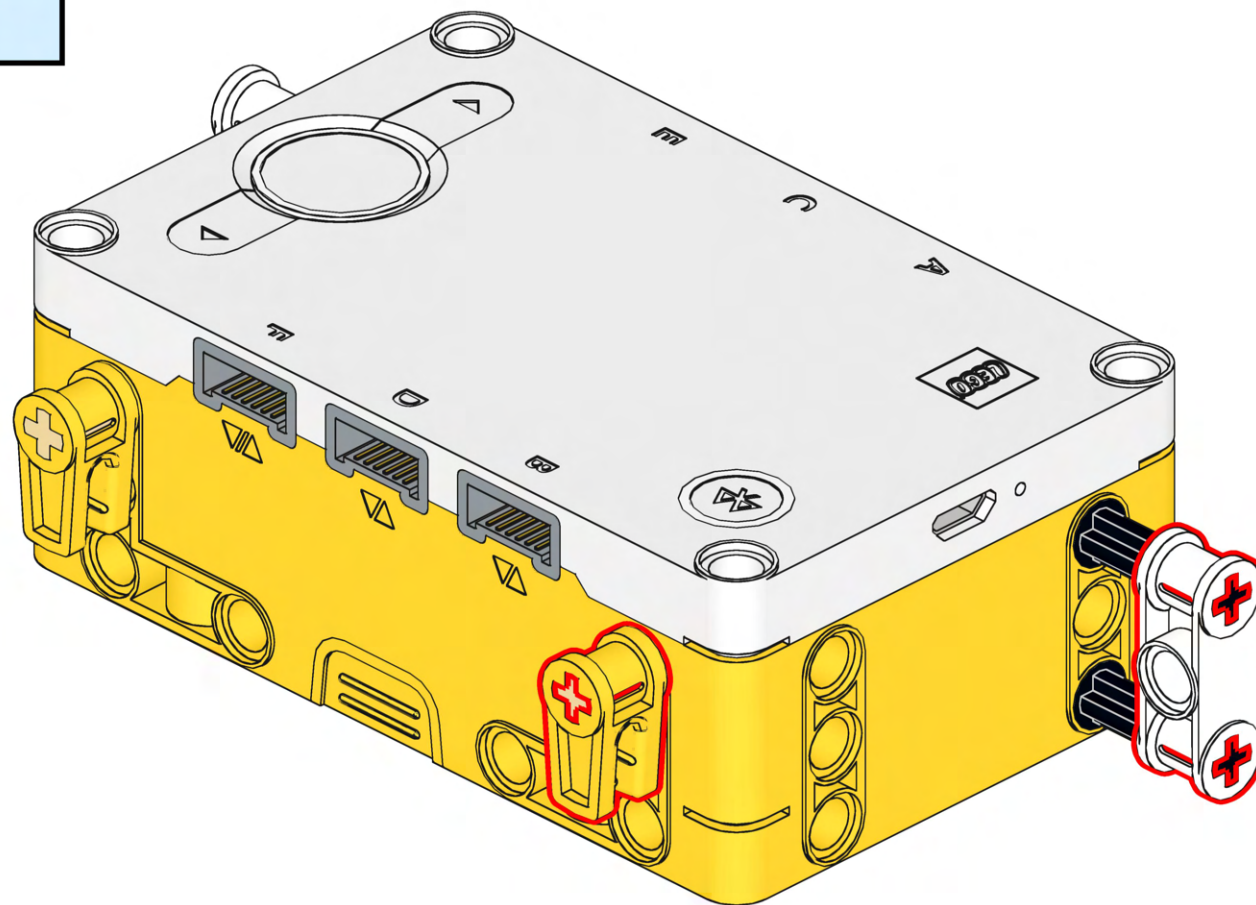
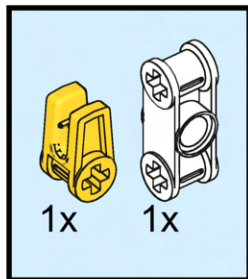
80



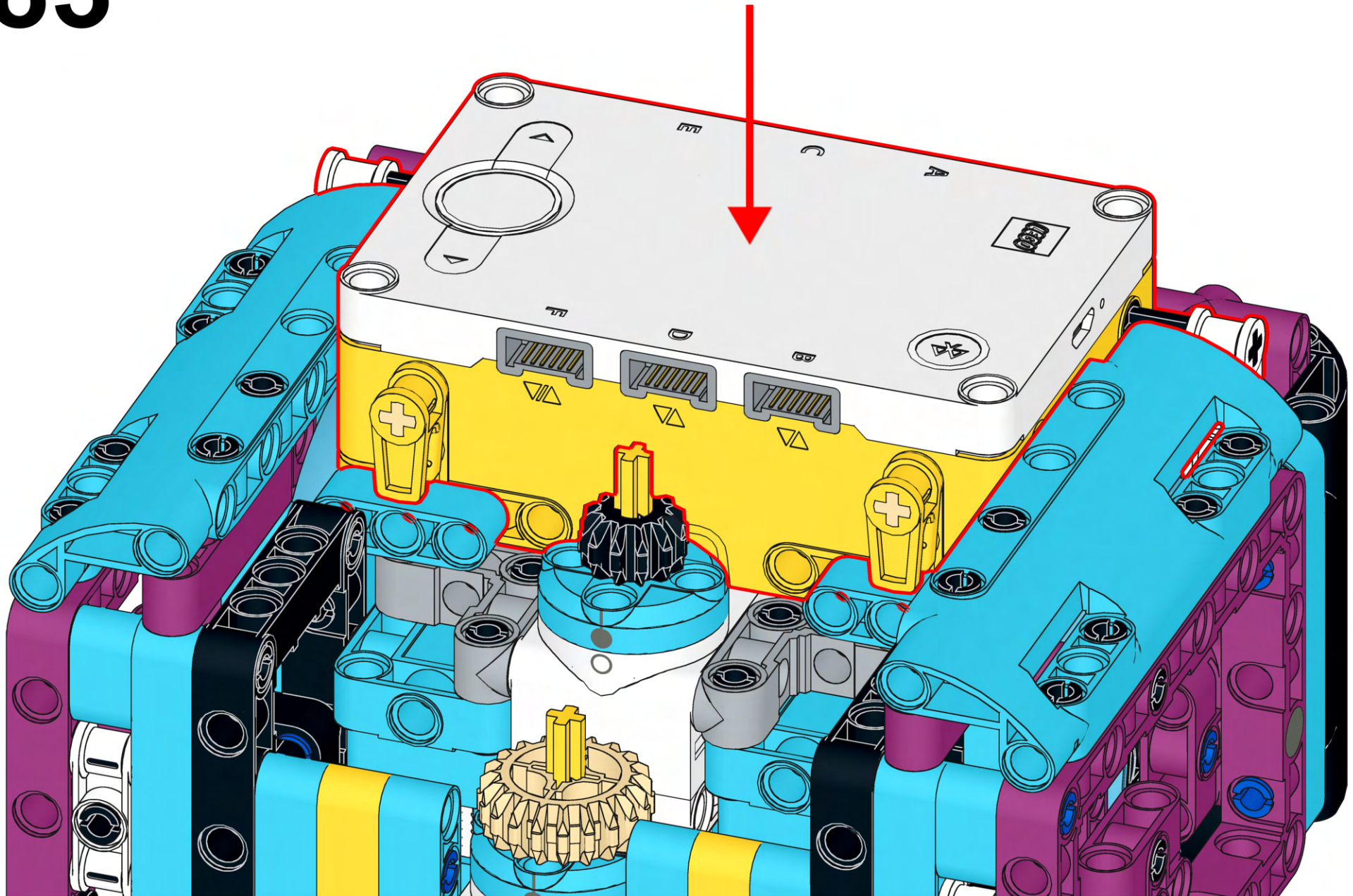
81



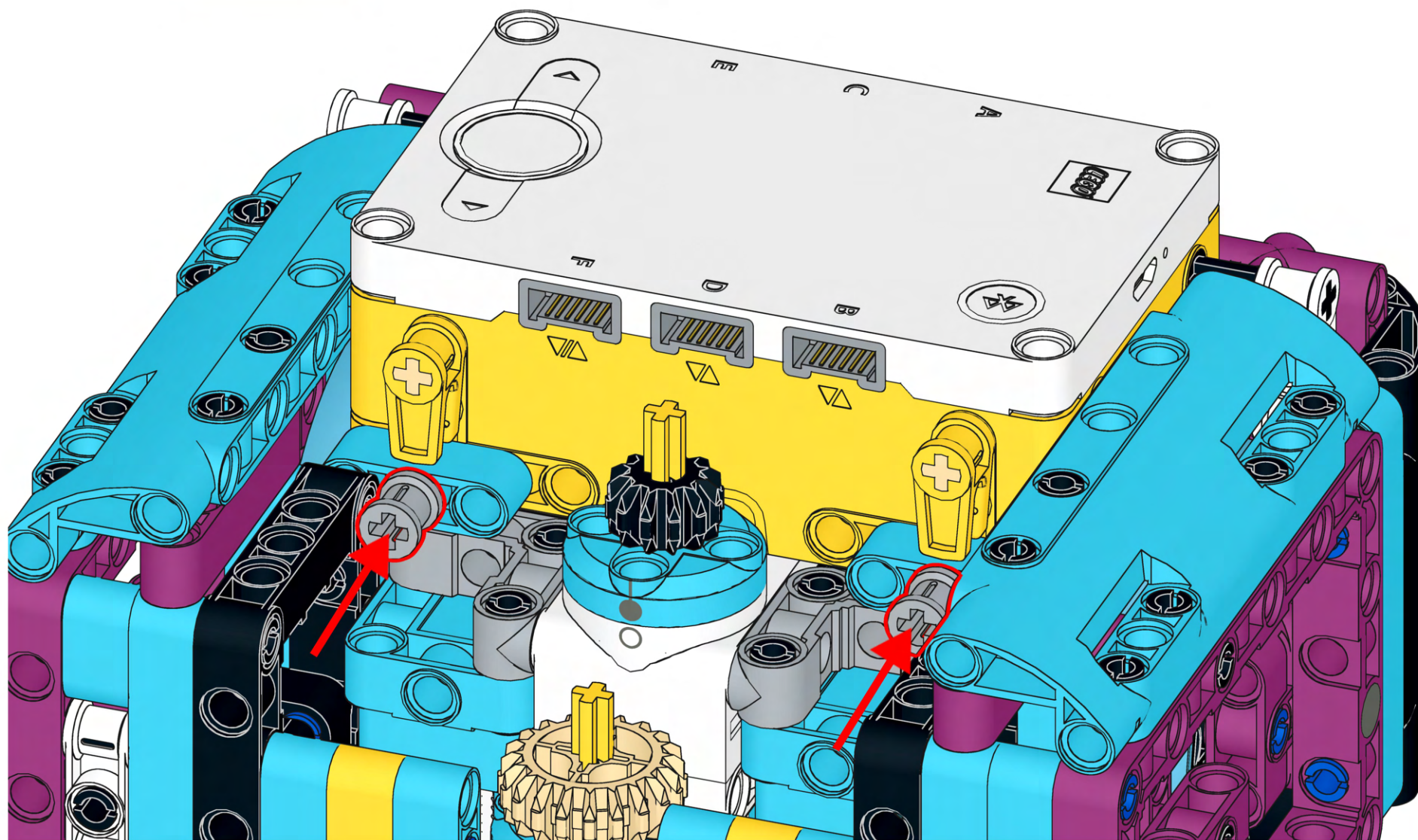
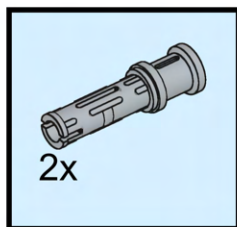
82



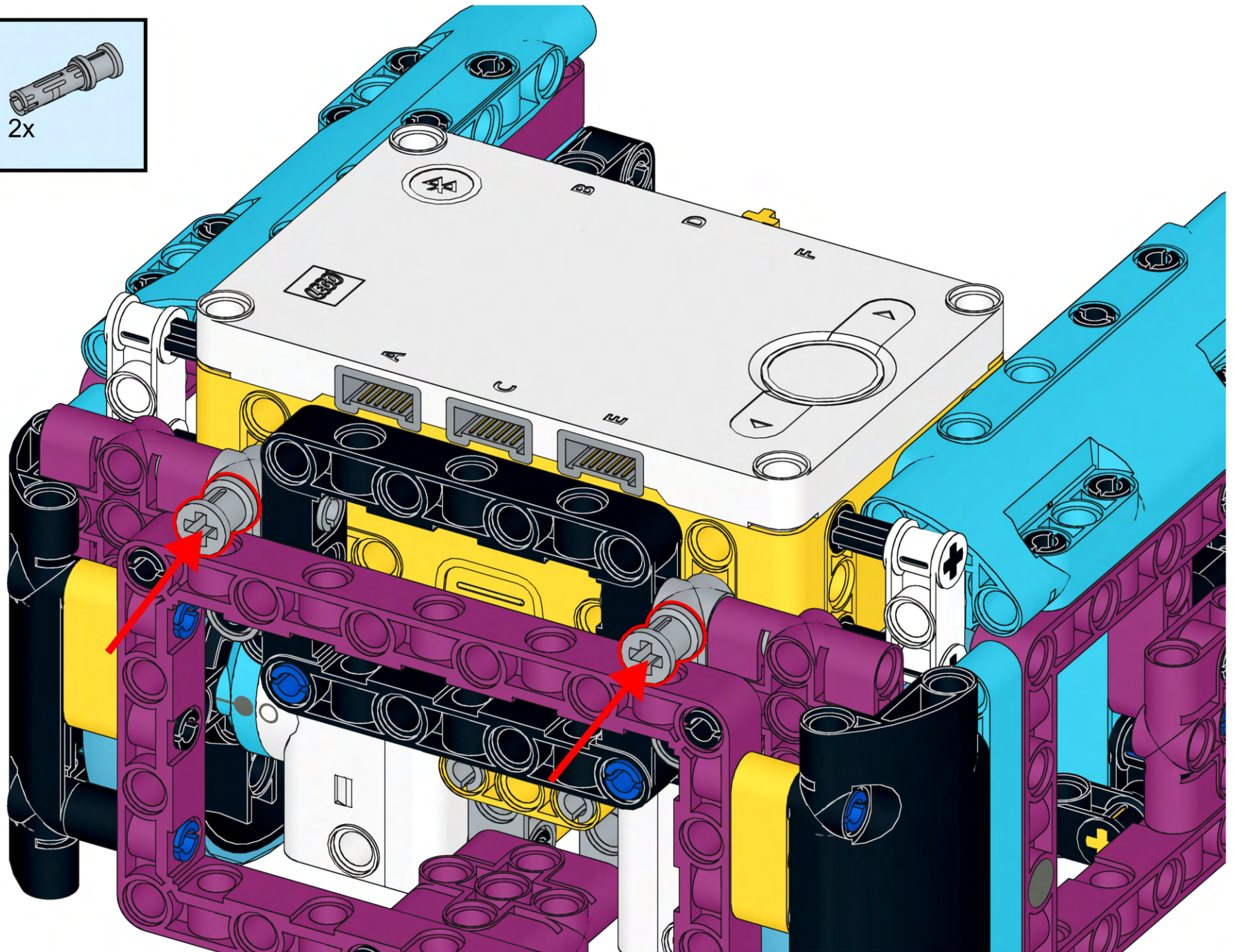
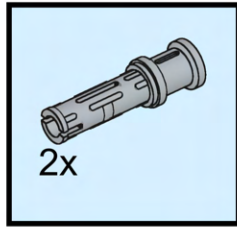
83



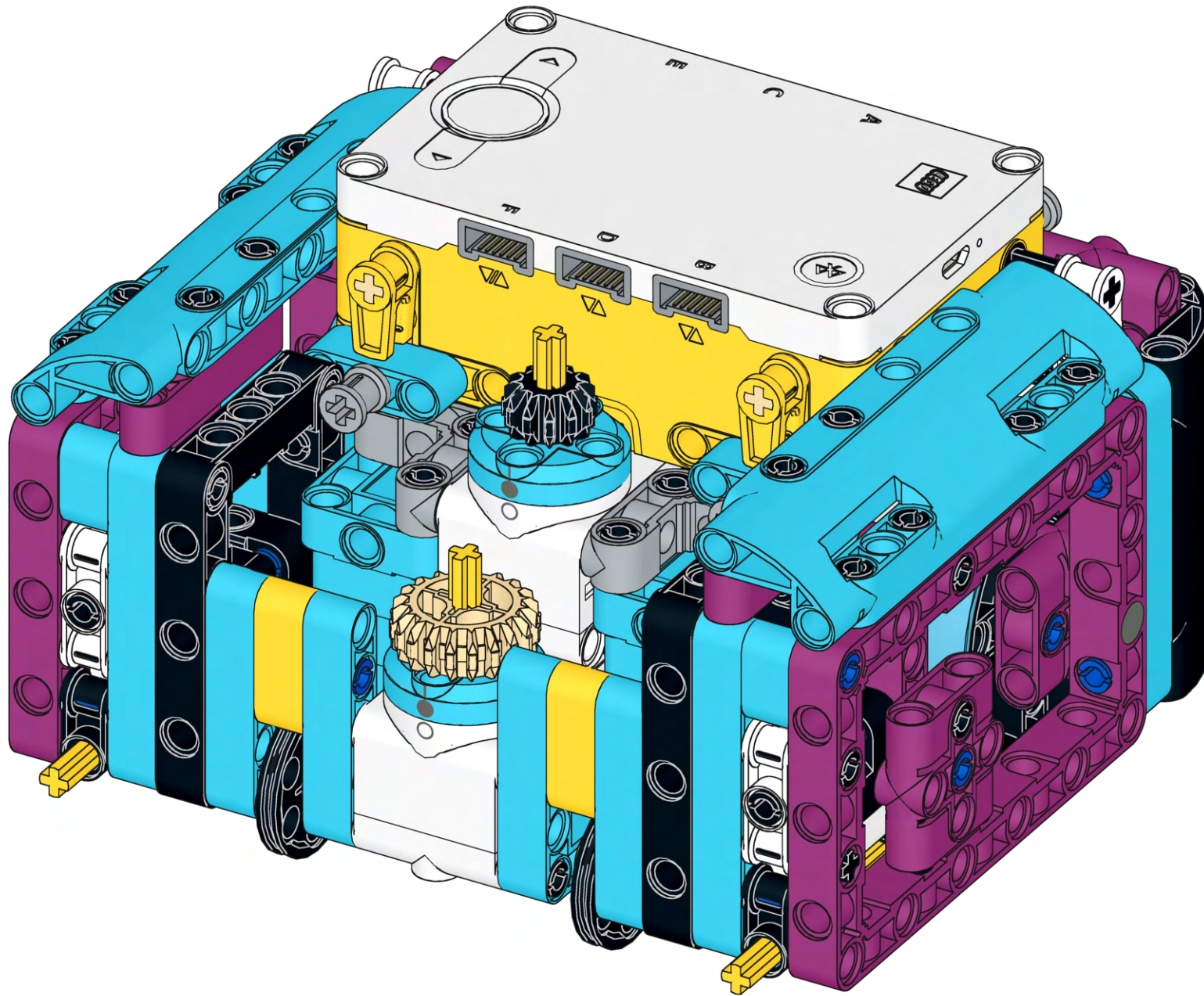
84



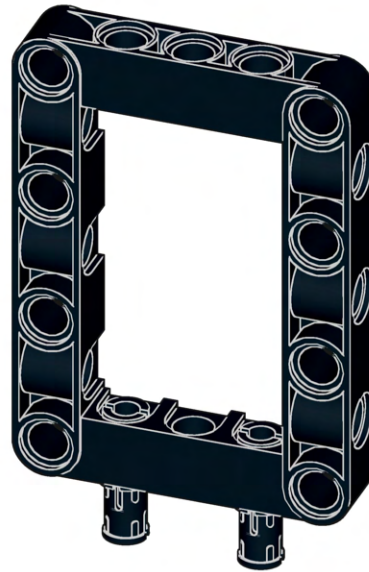
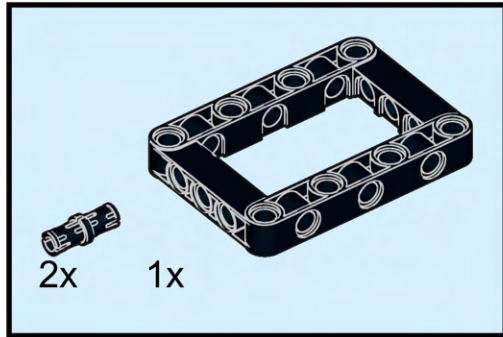
85



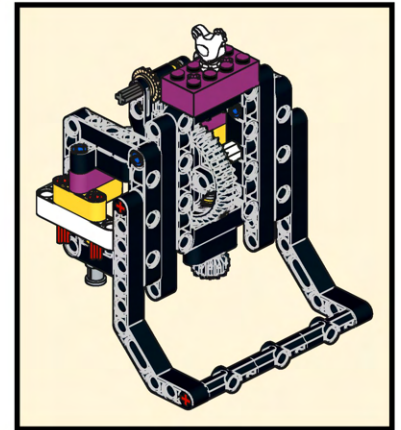
86



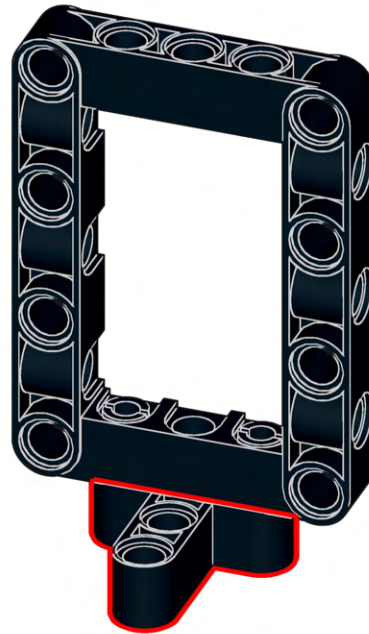
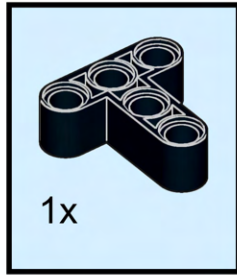
87



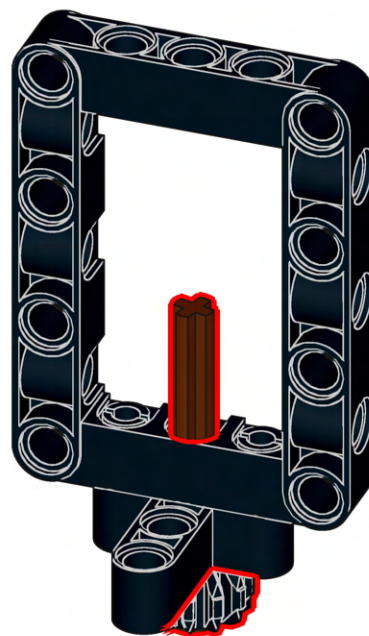
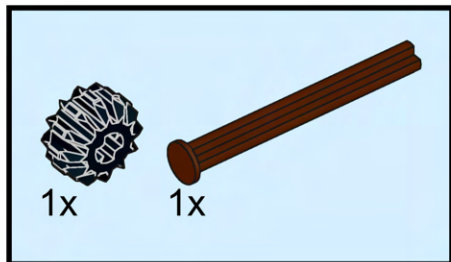
Universal Attachment



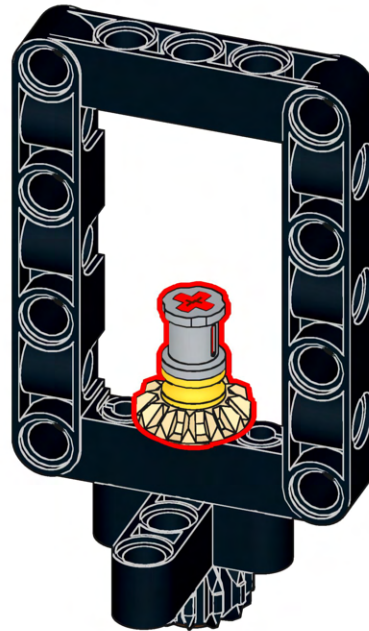
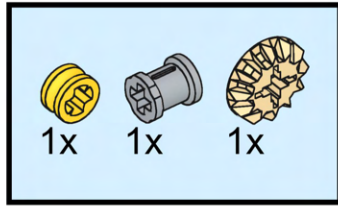
88



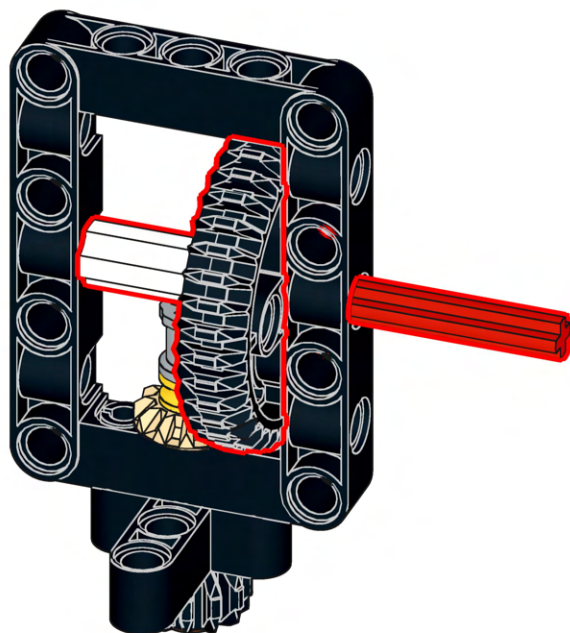
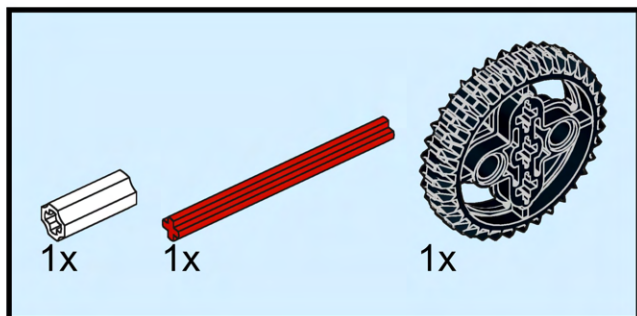
89



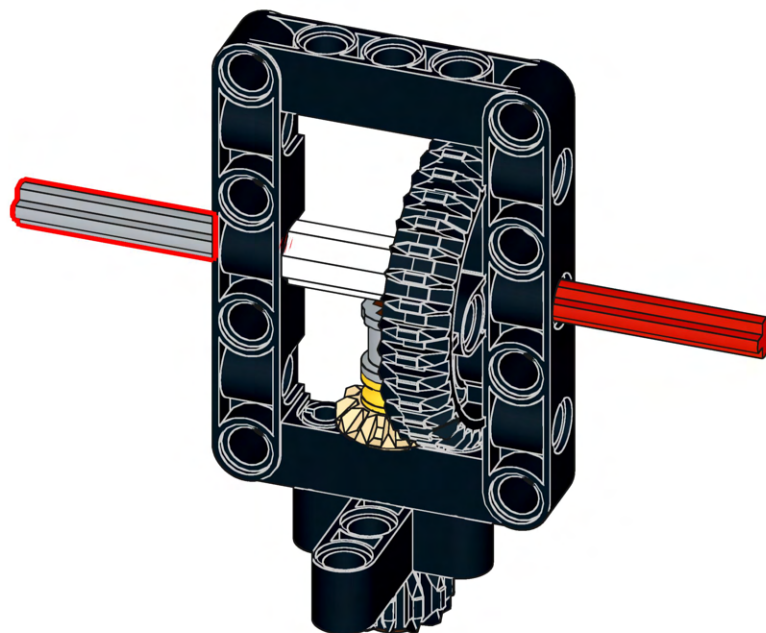
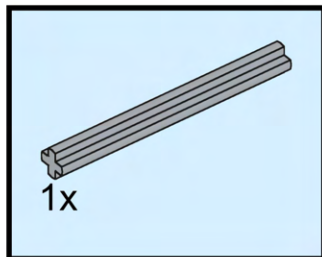
90



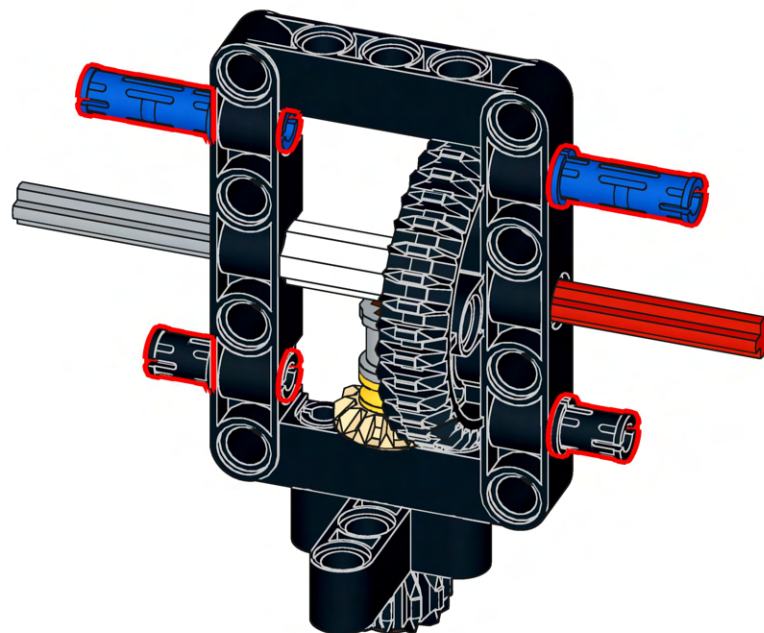
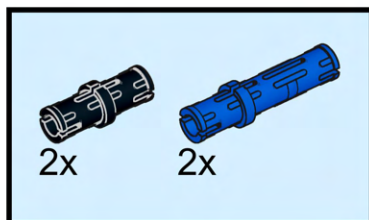
91



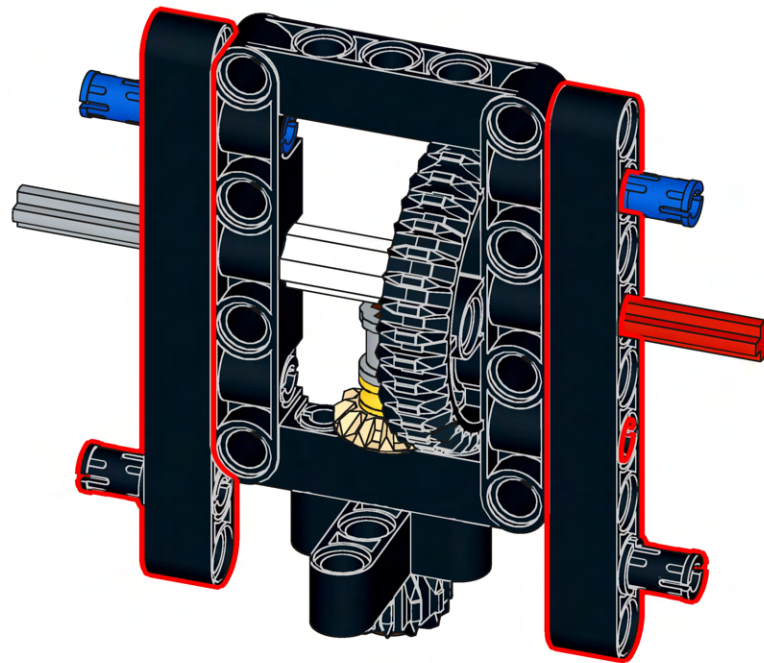
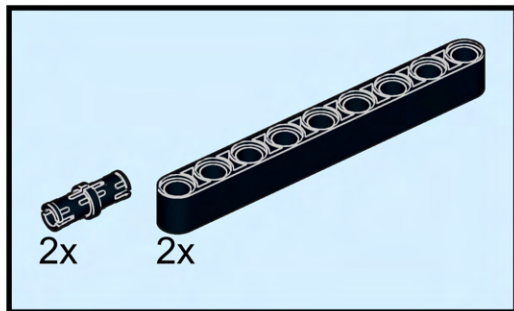
92



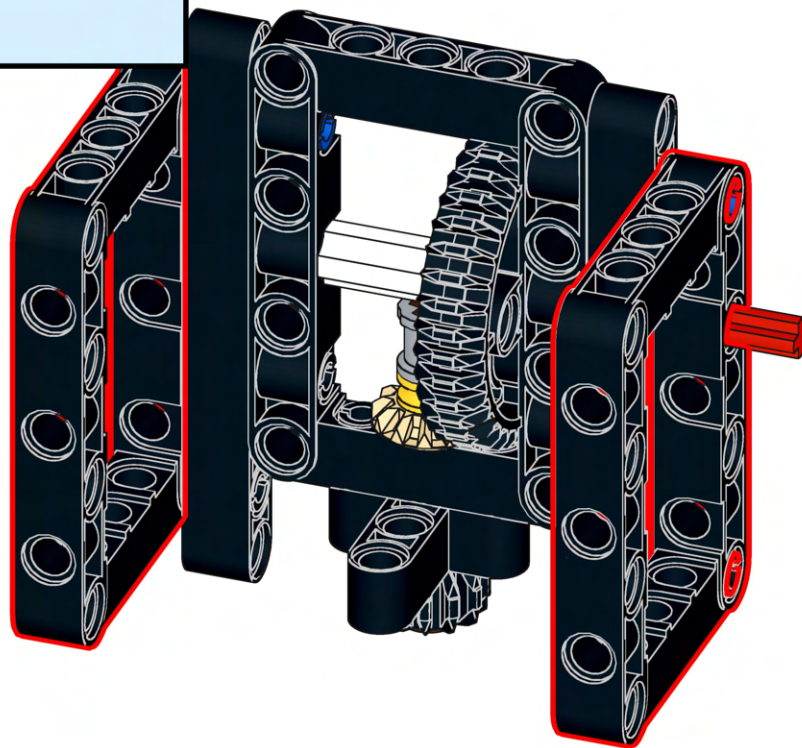
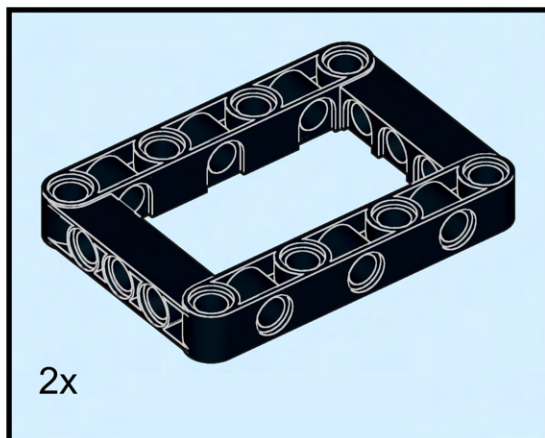
93



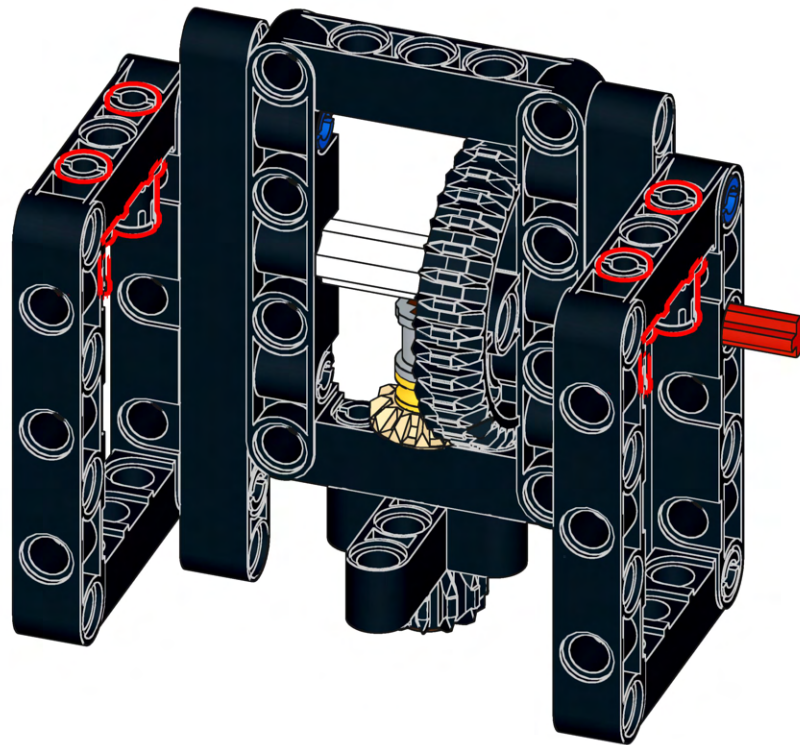
94



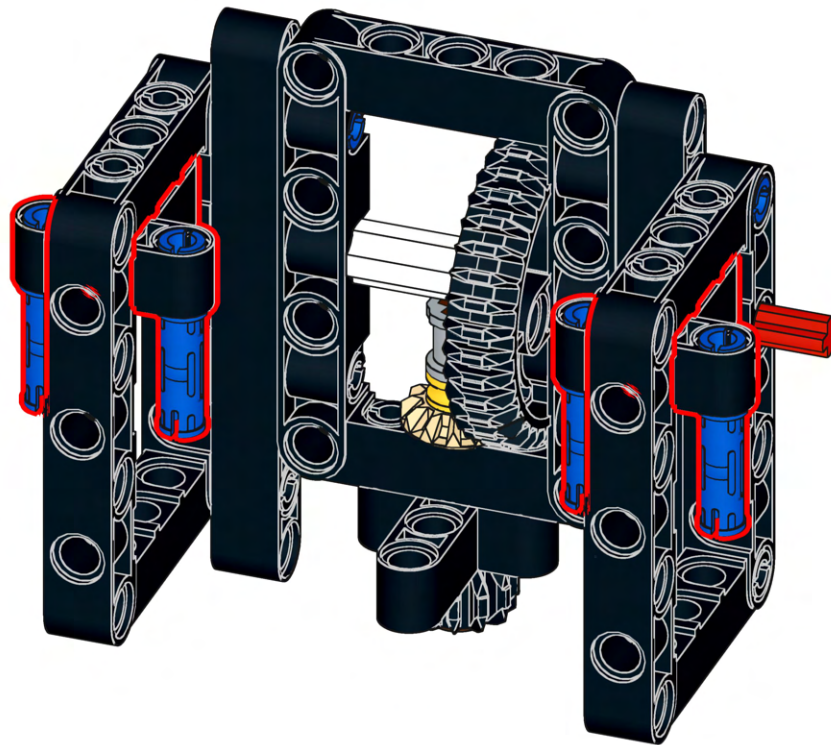
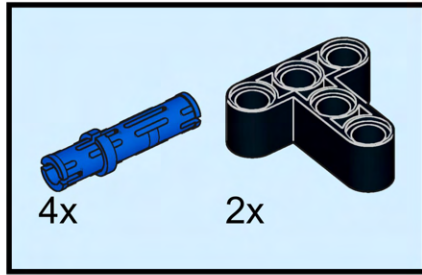
95



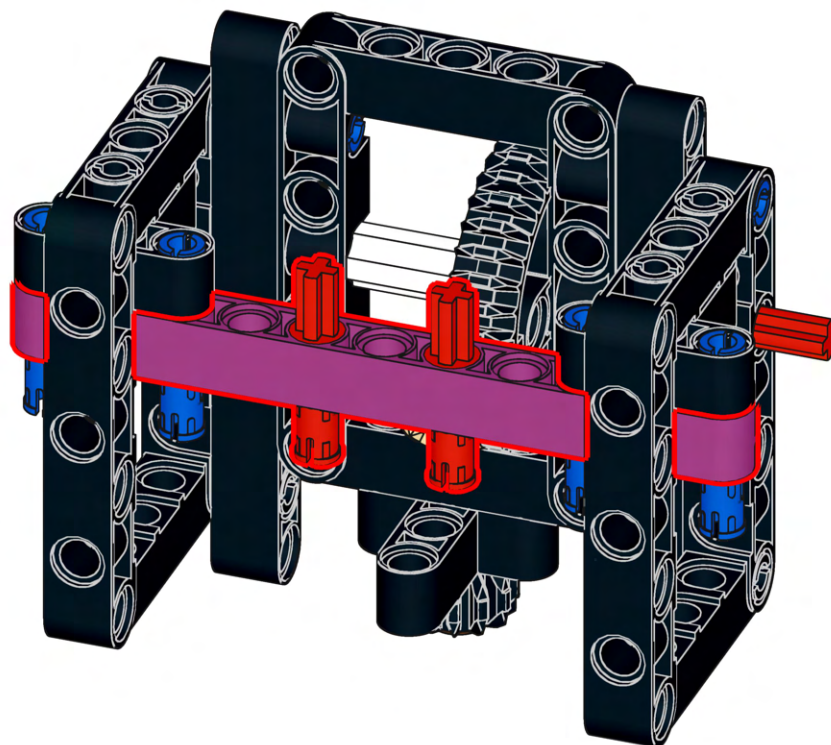
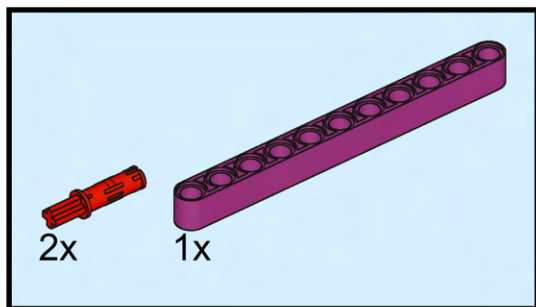
96



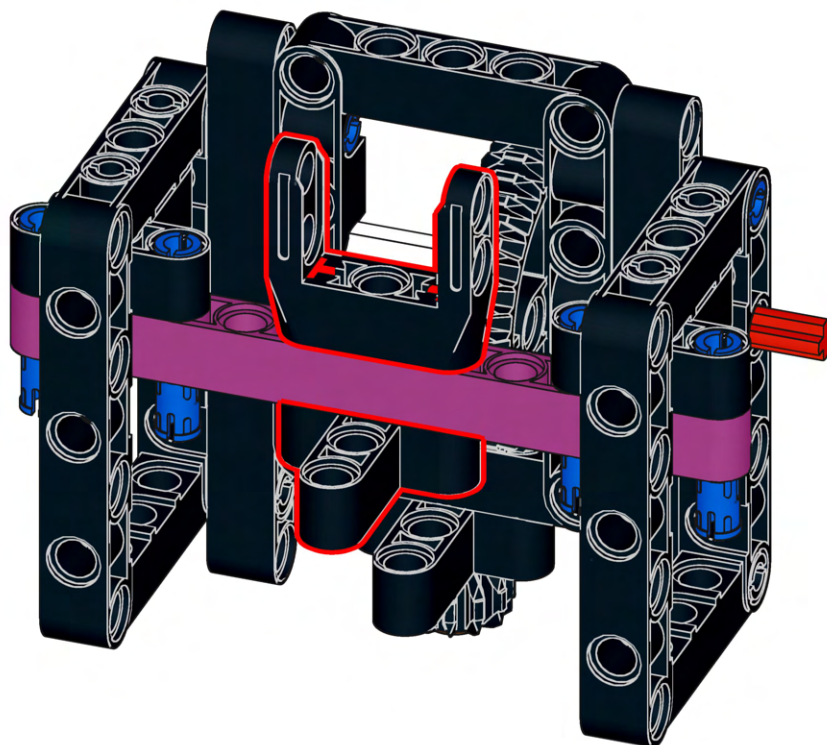
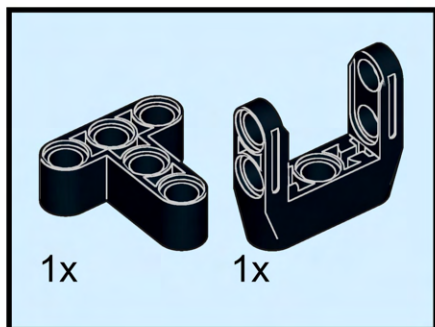
97



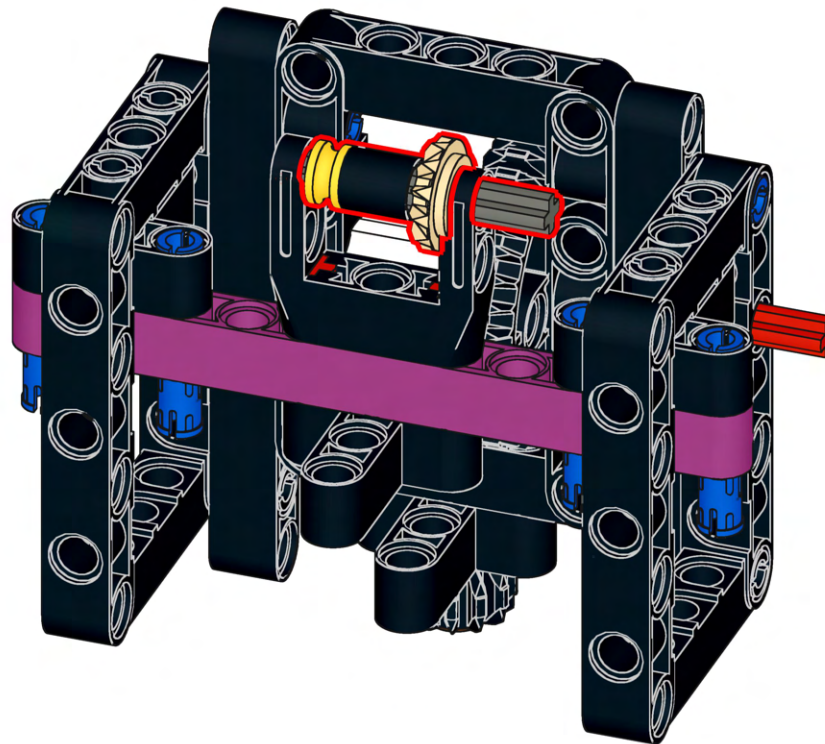
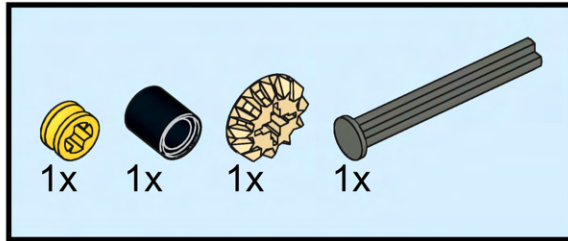
98



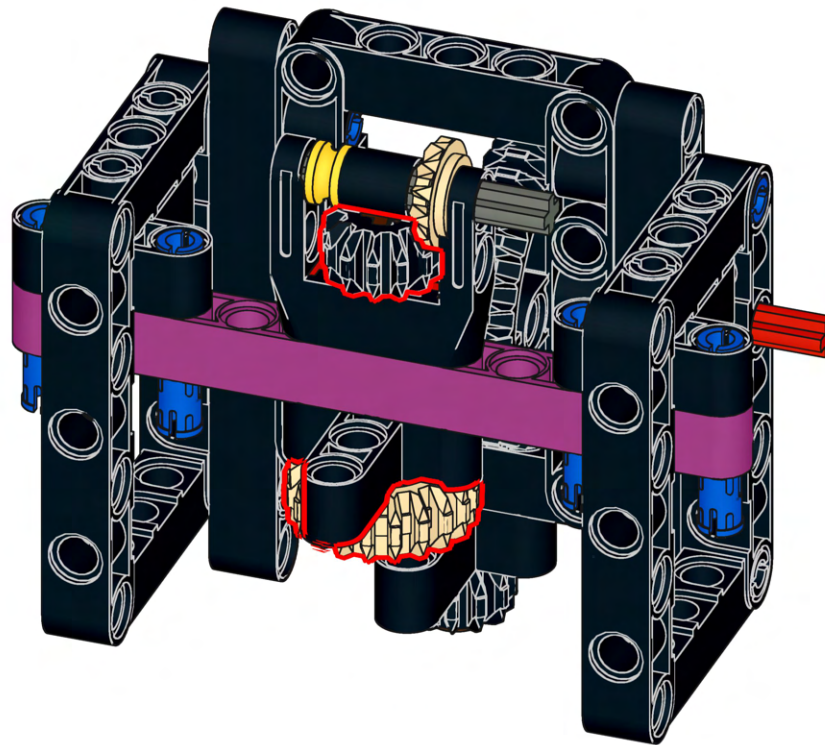
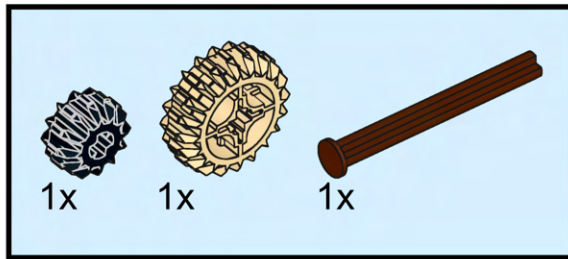
99



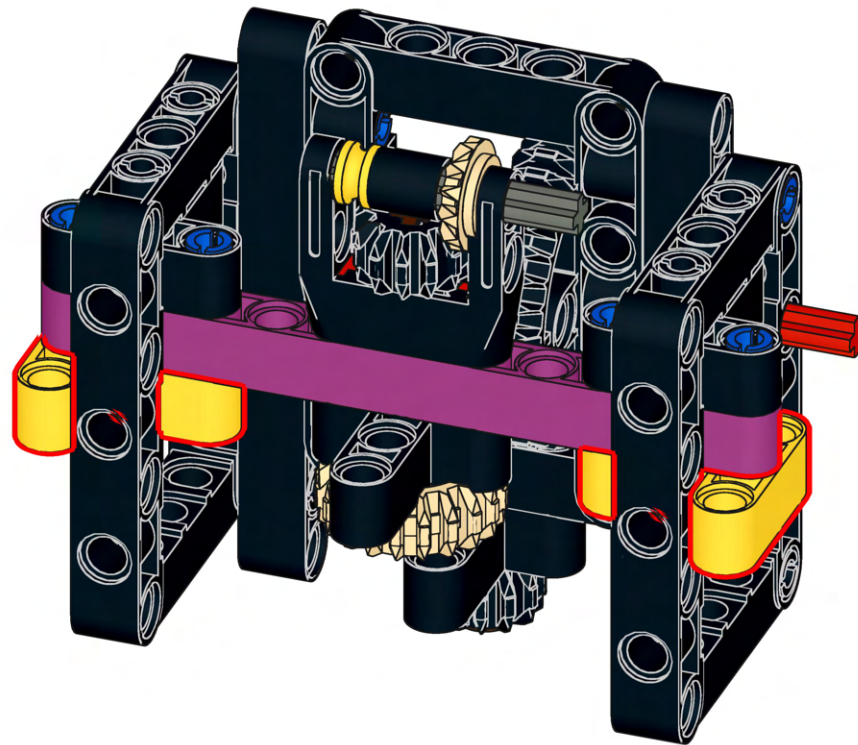
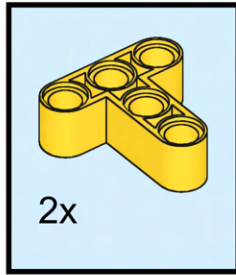
100



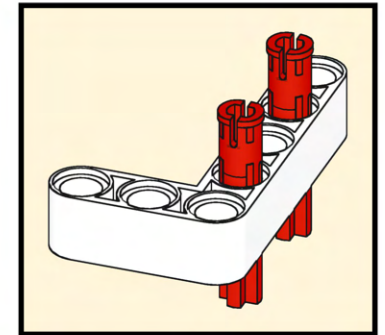
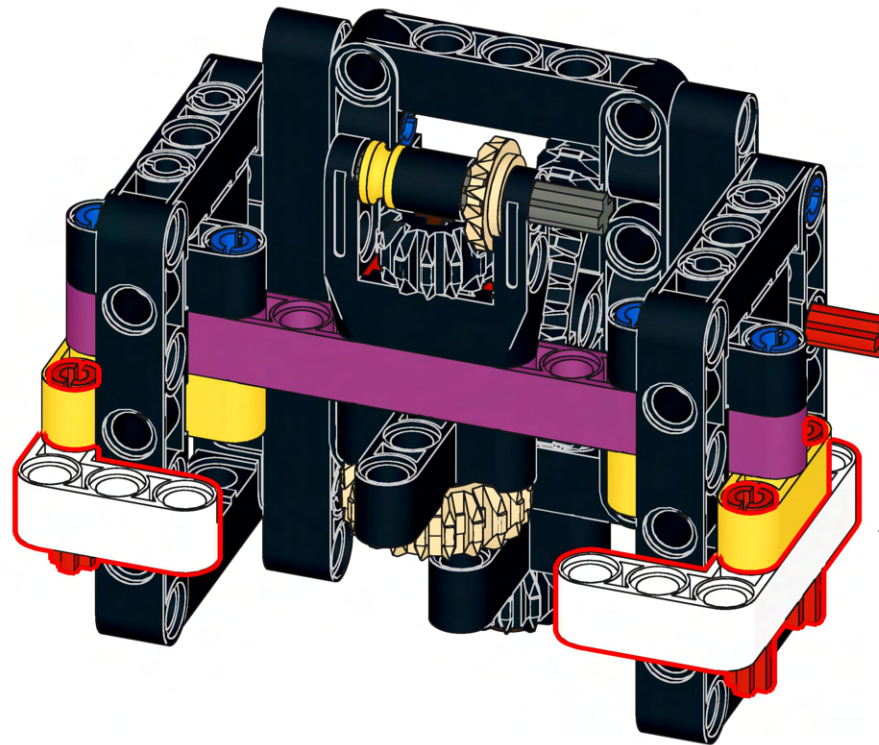
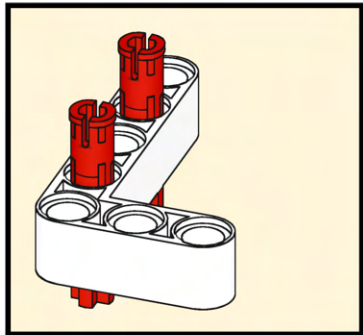
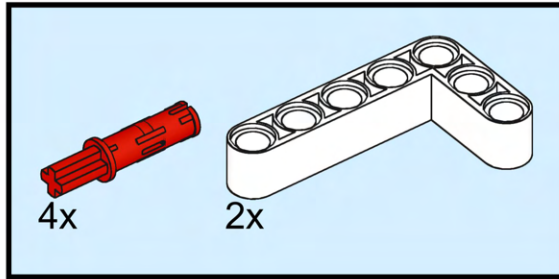
101



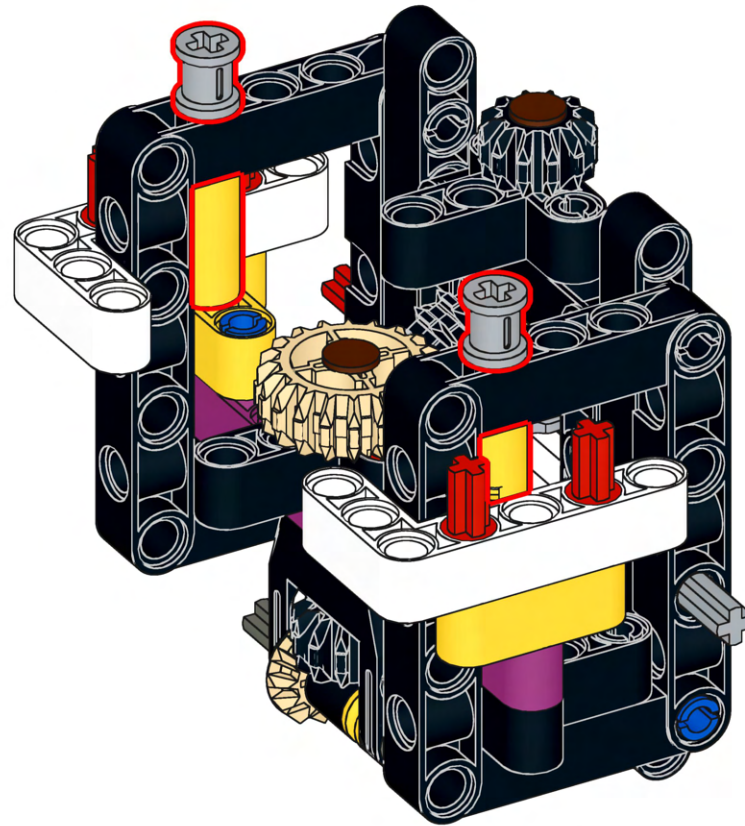
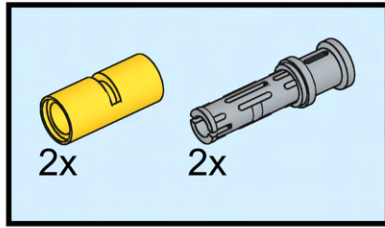
102



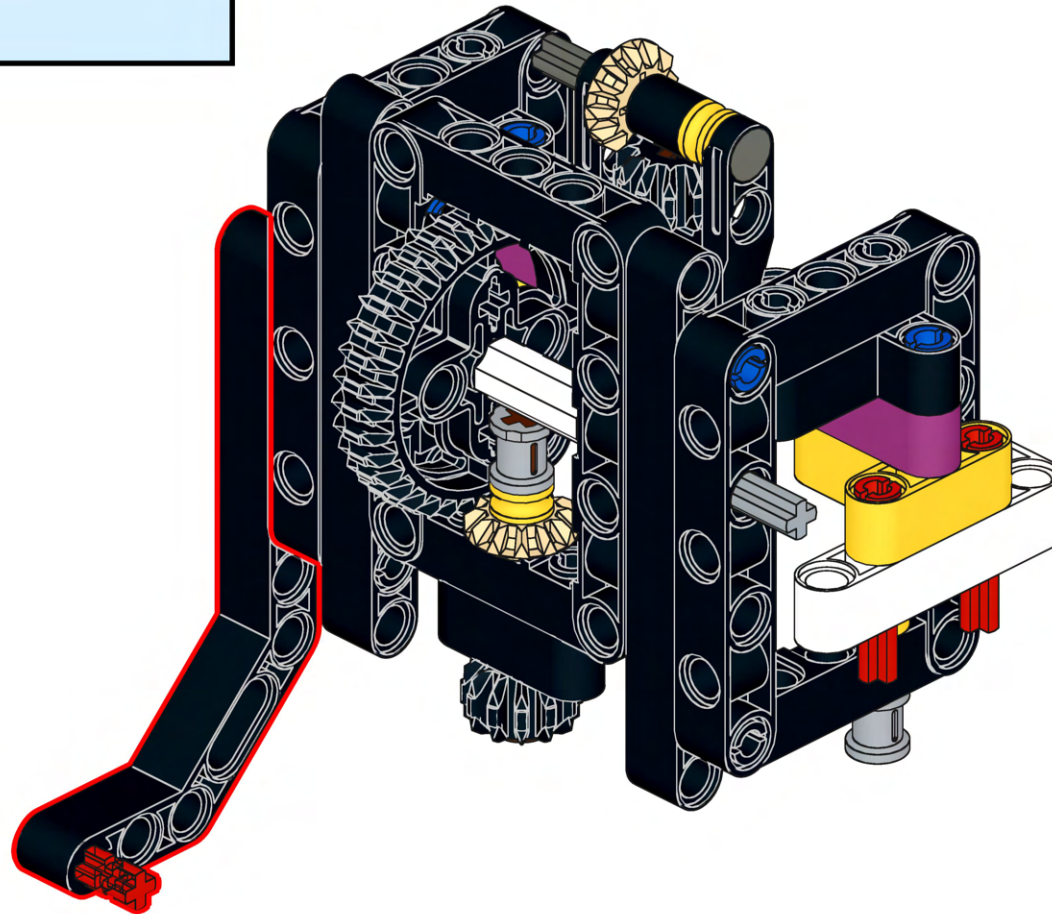
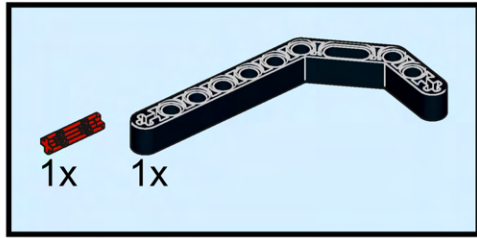
103



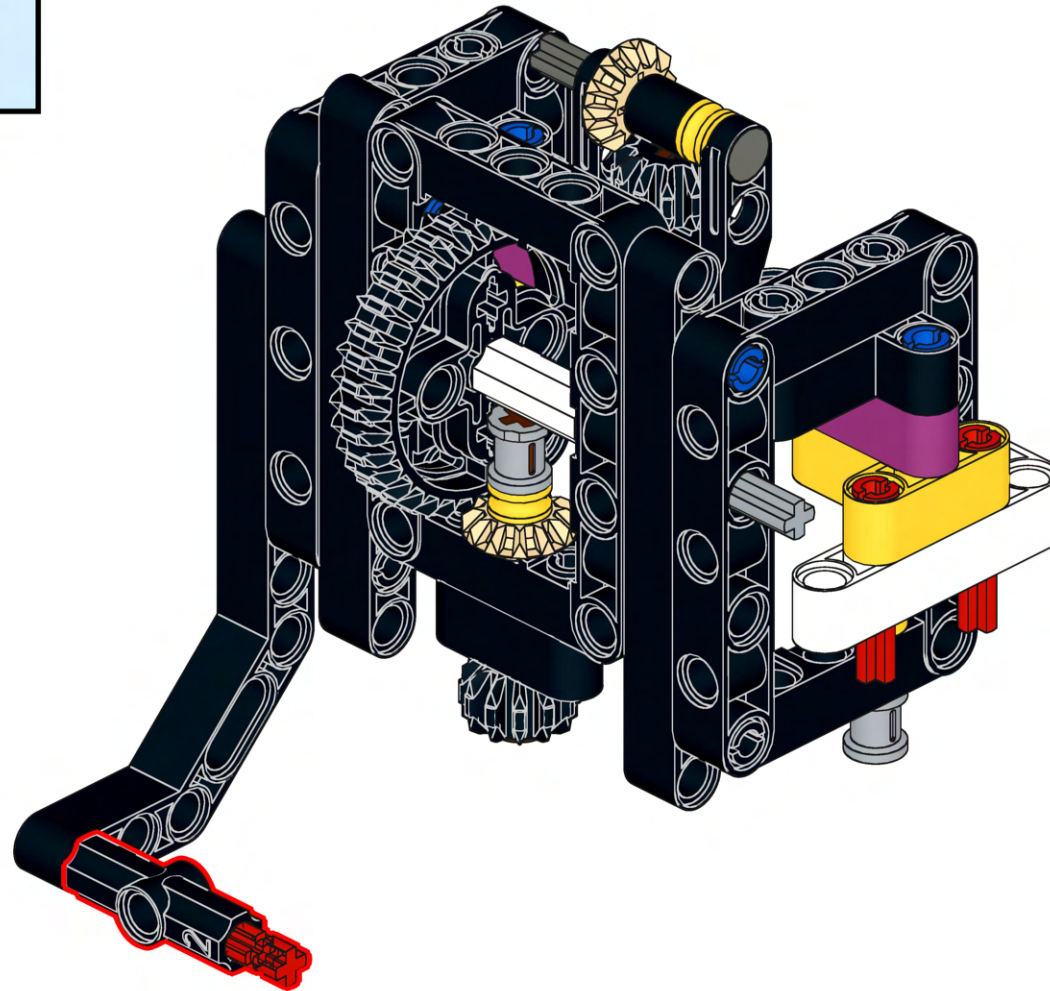
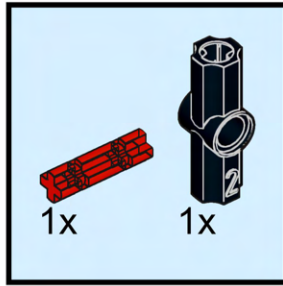
104



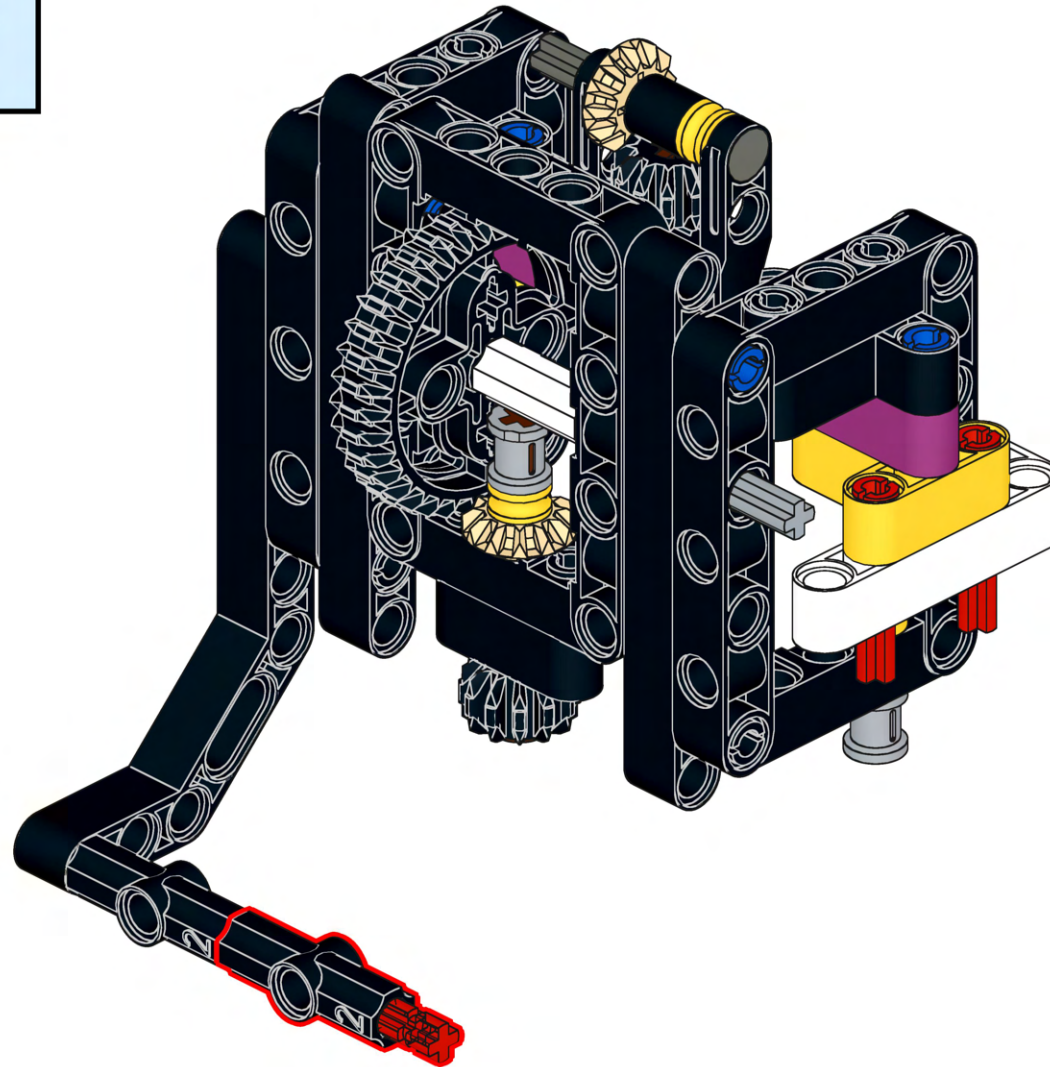
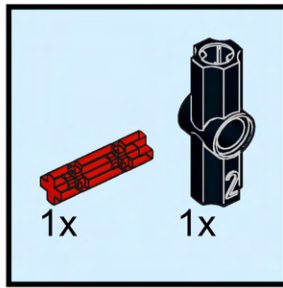
105



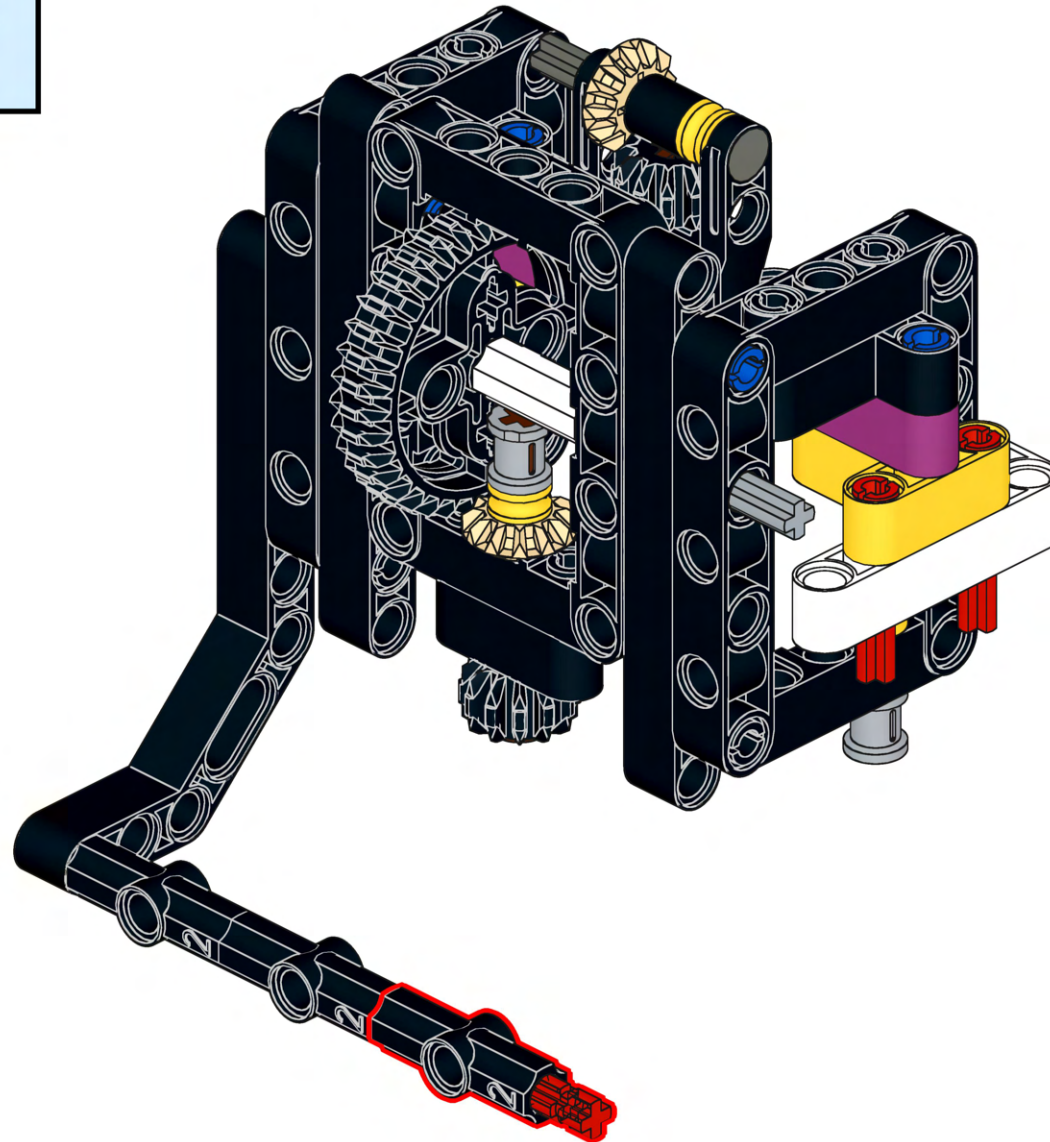
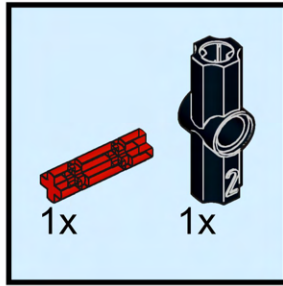
106



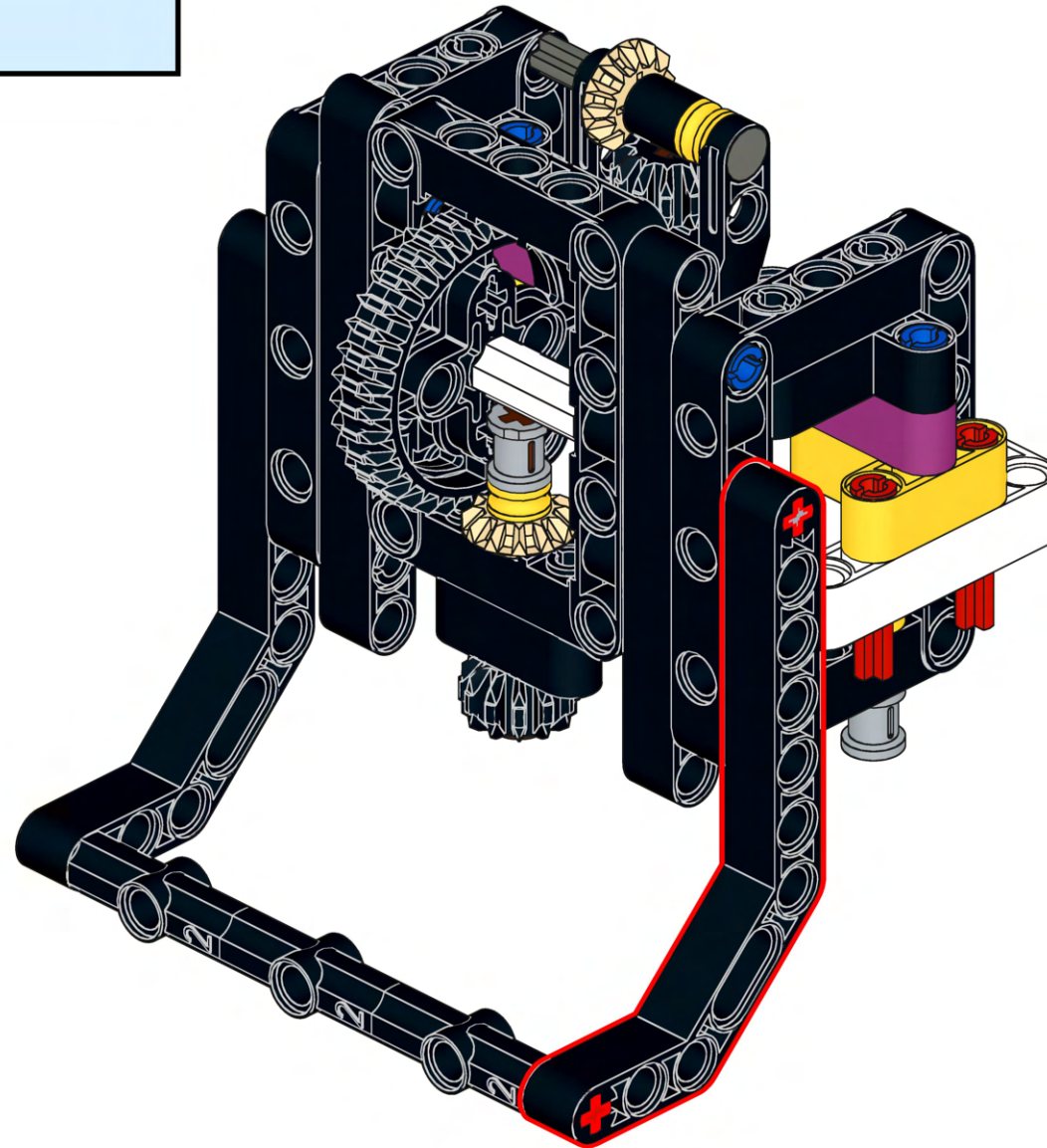
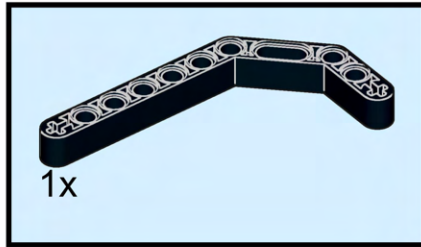
107



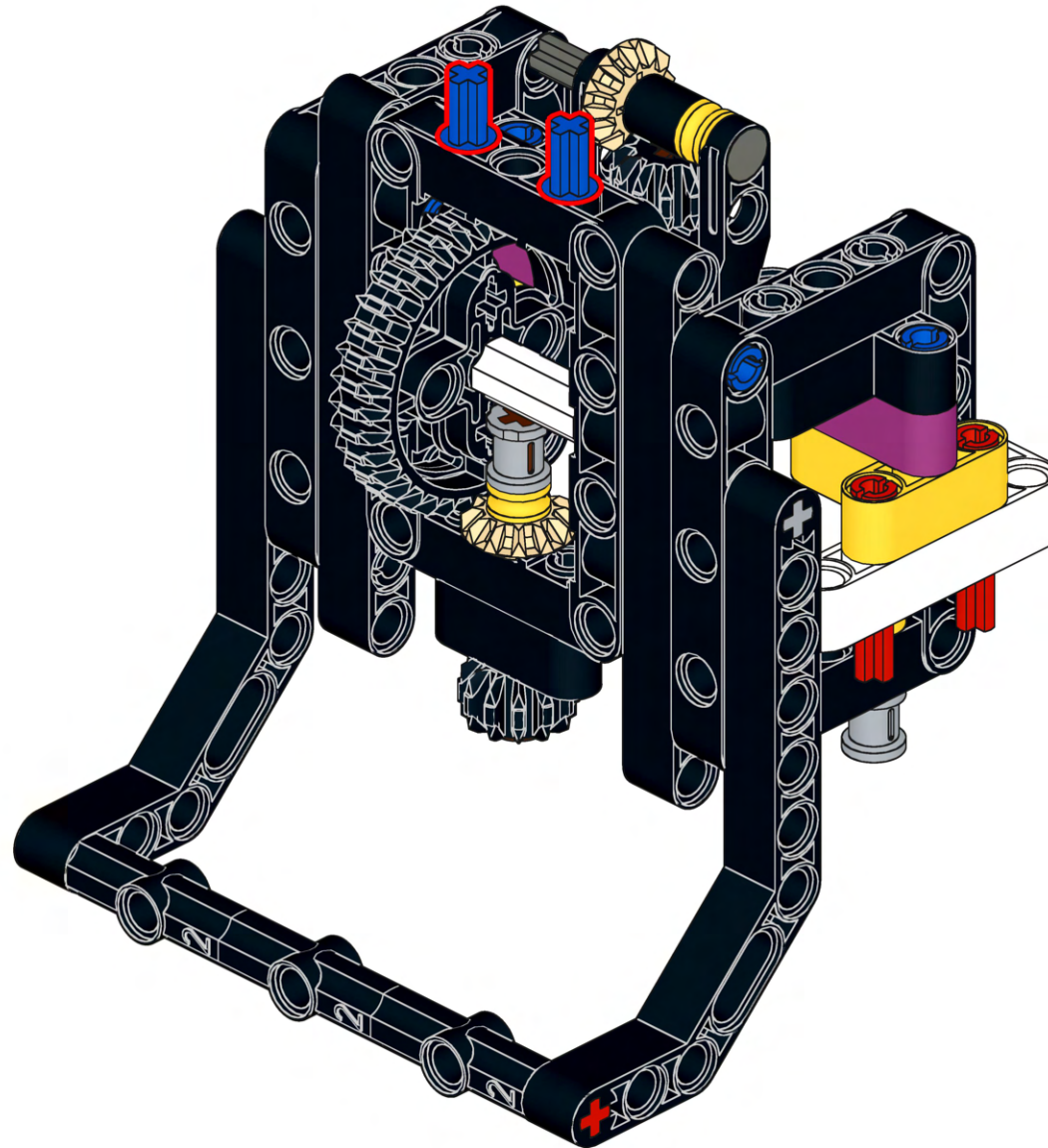
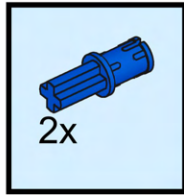
108



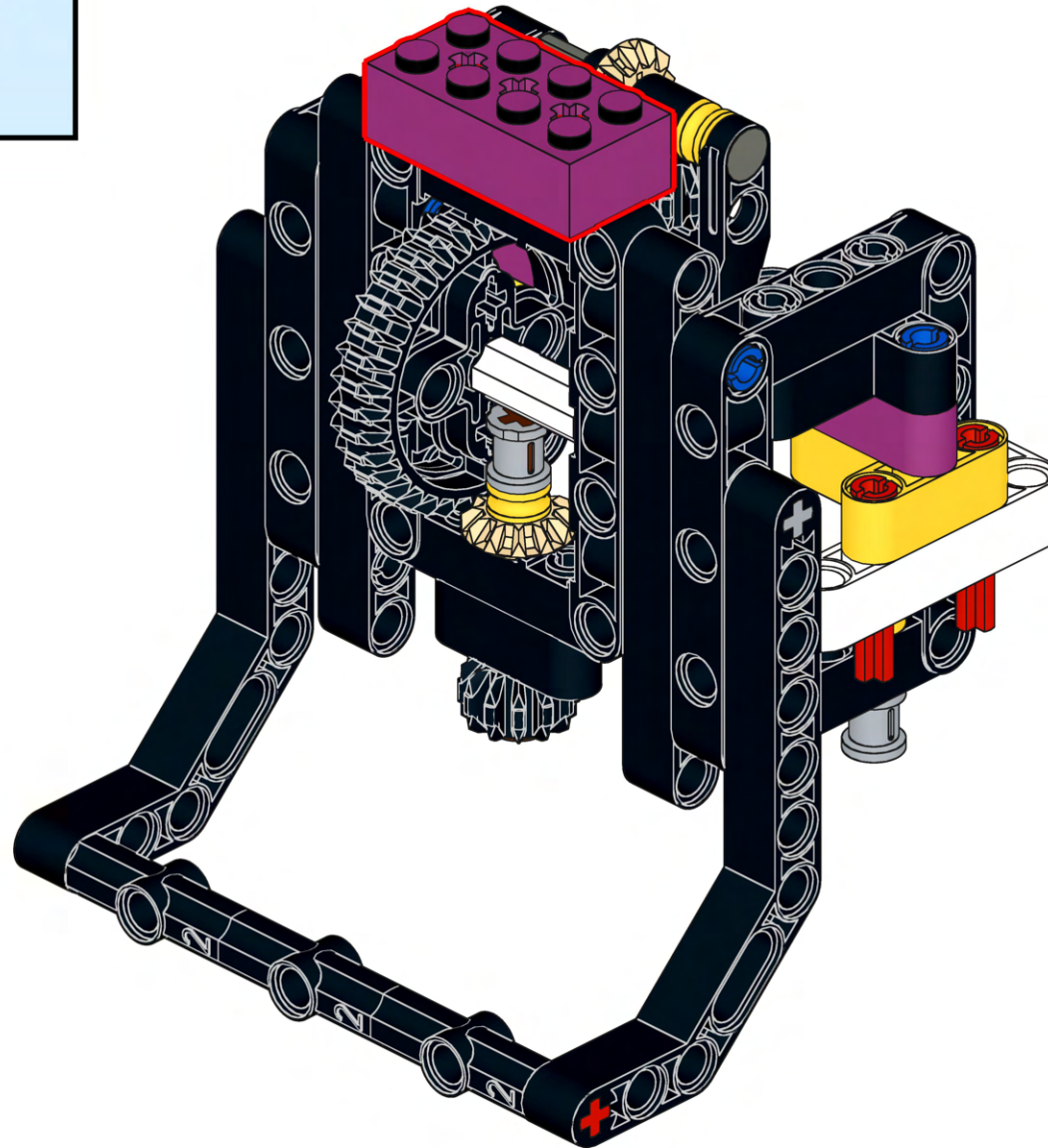
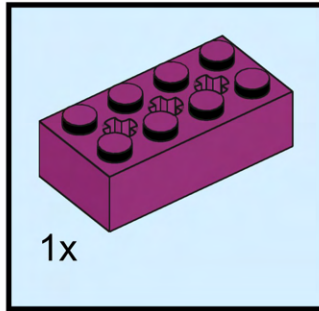
109



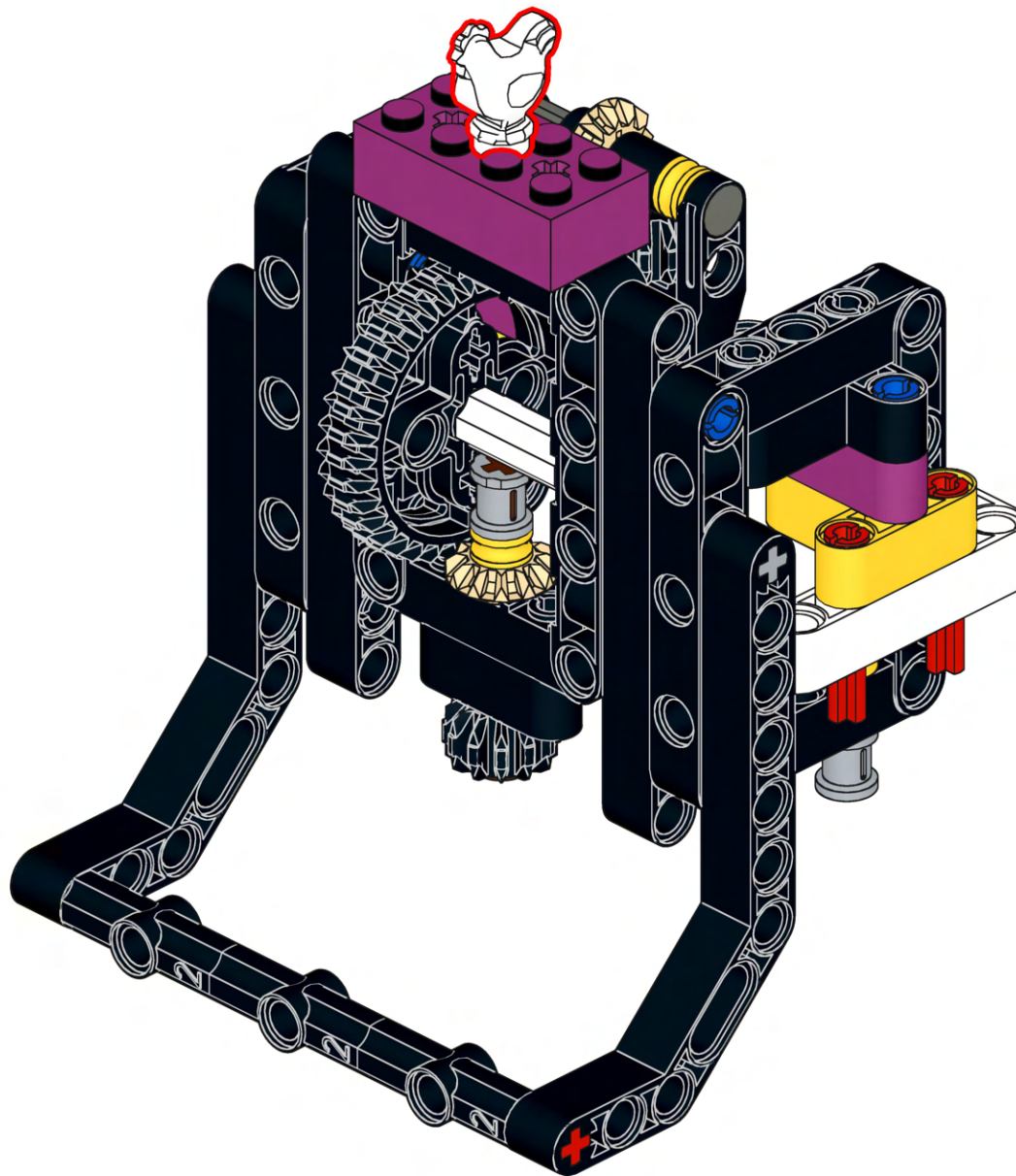
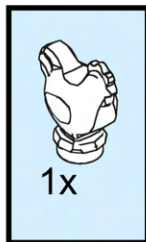
110



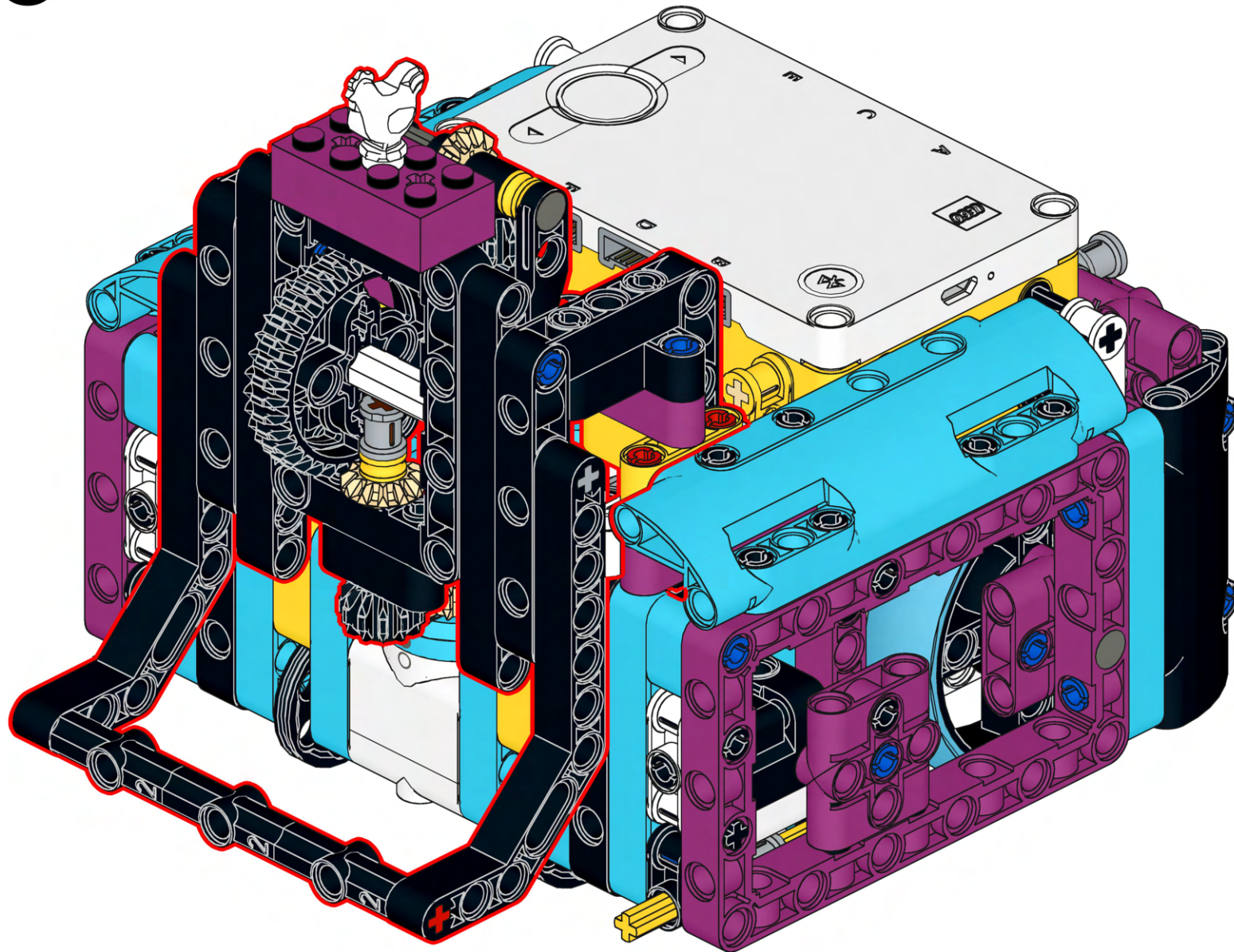
111



112



113



114

